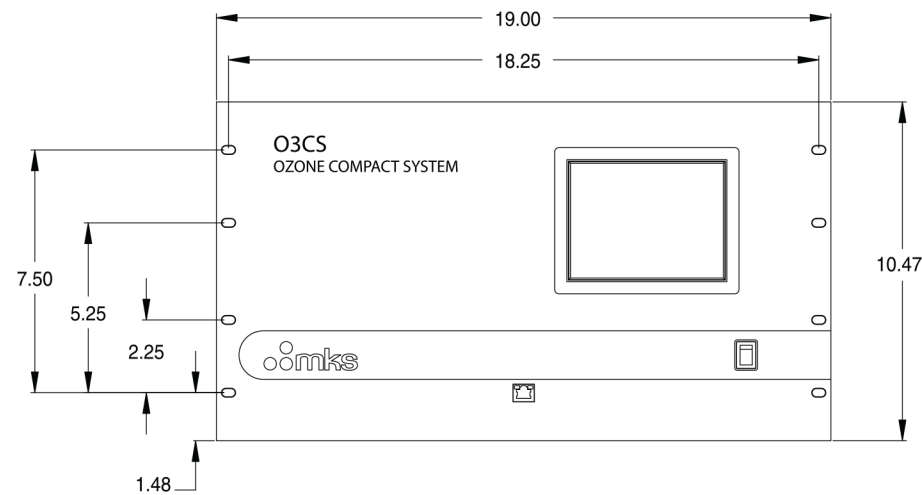
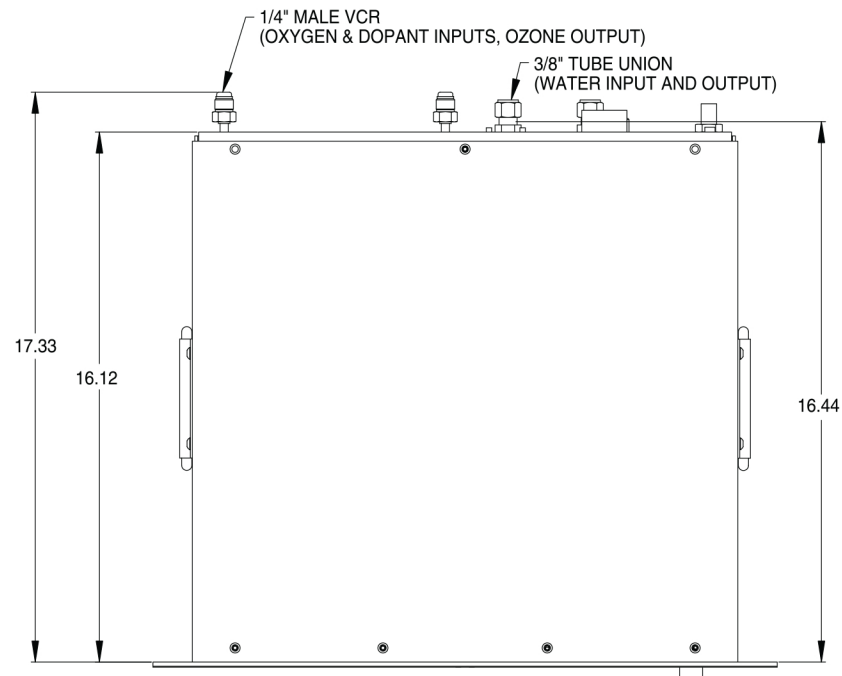


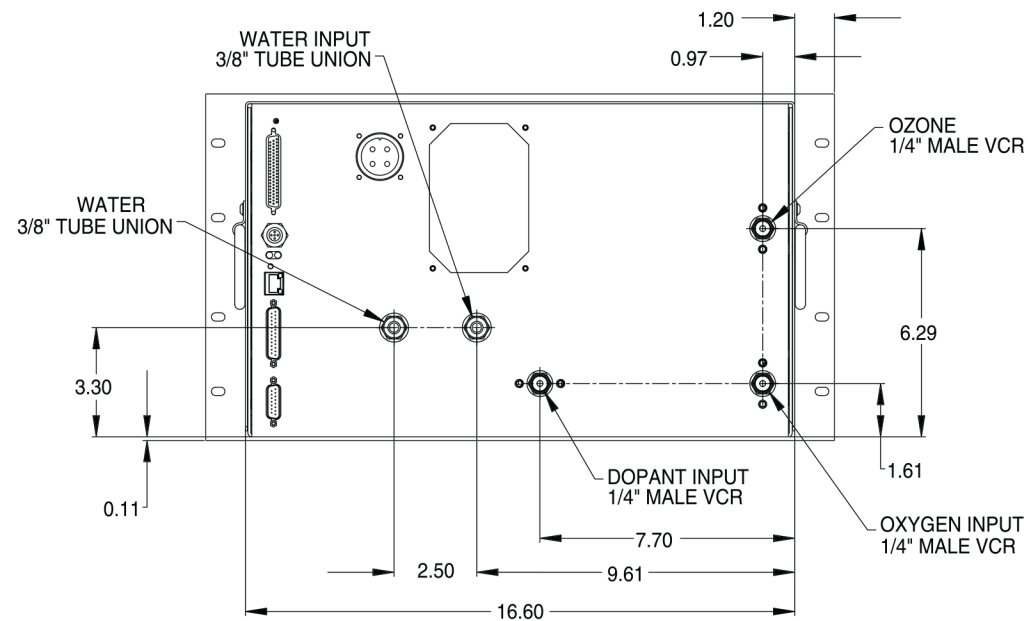
Front View



Top View



Back View



Dimensional Drawing

Note: Unless otherwise specified, dimensions are nominal values in inches.