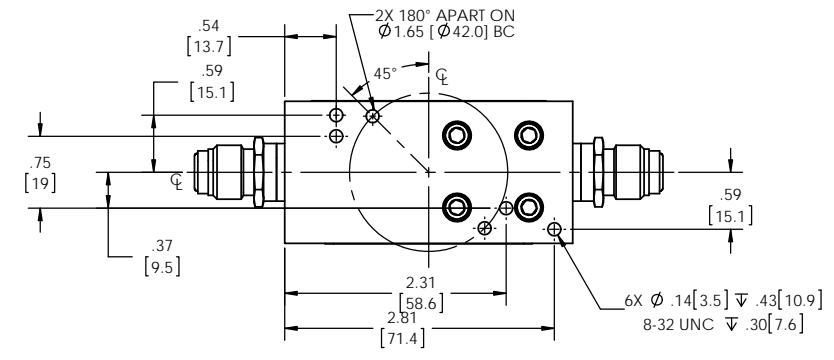
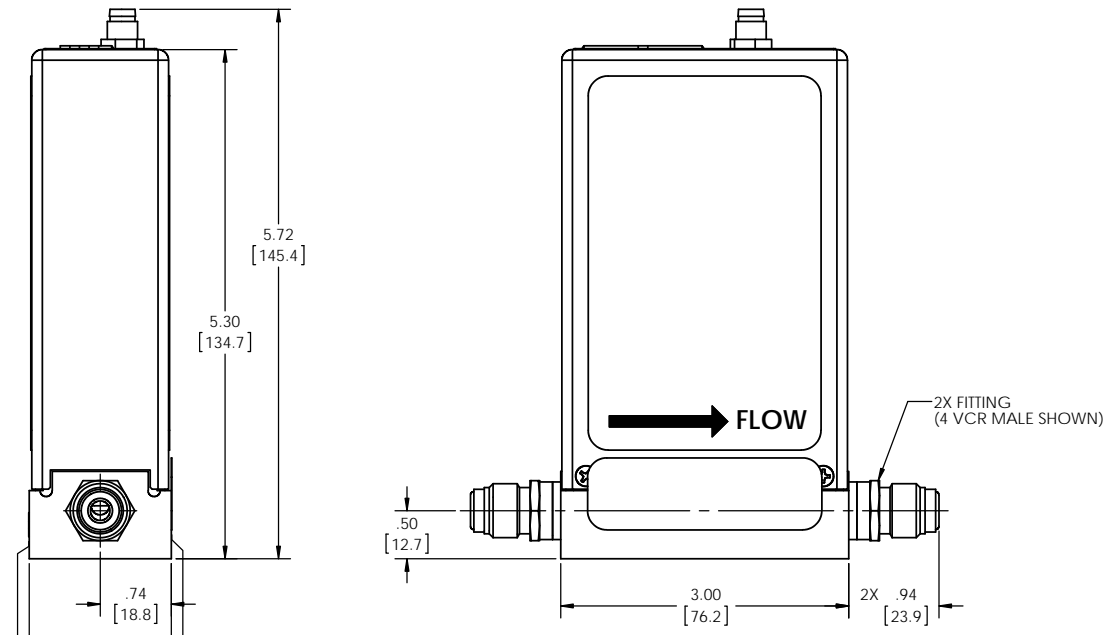
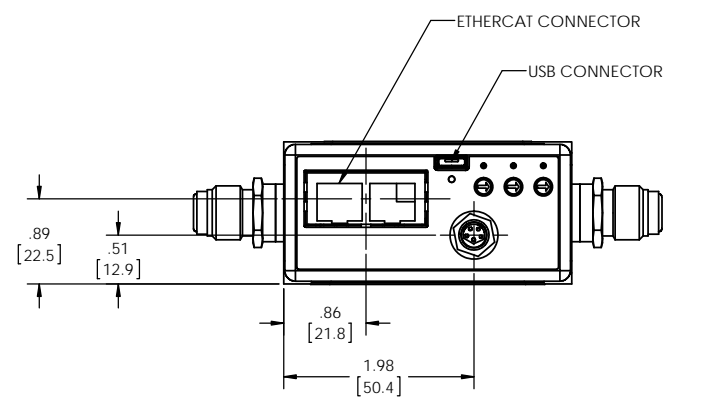
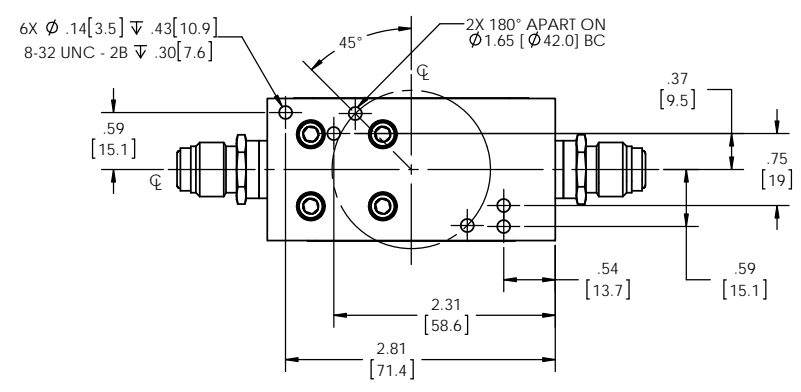
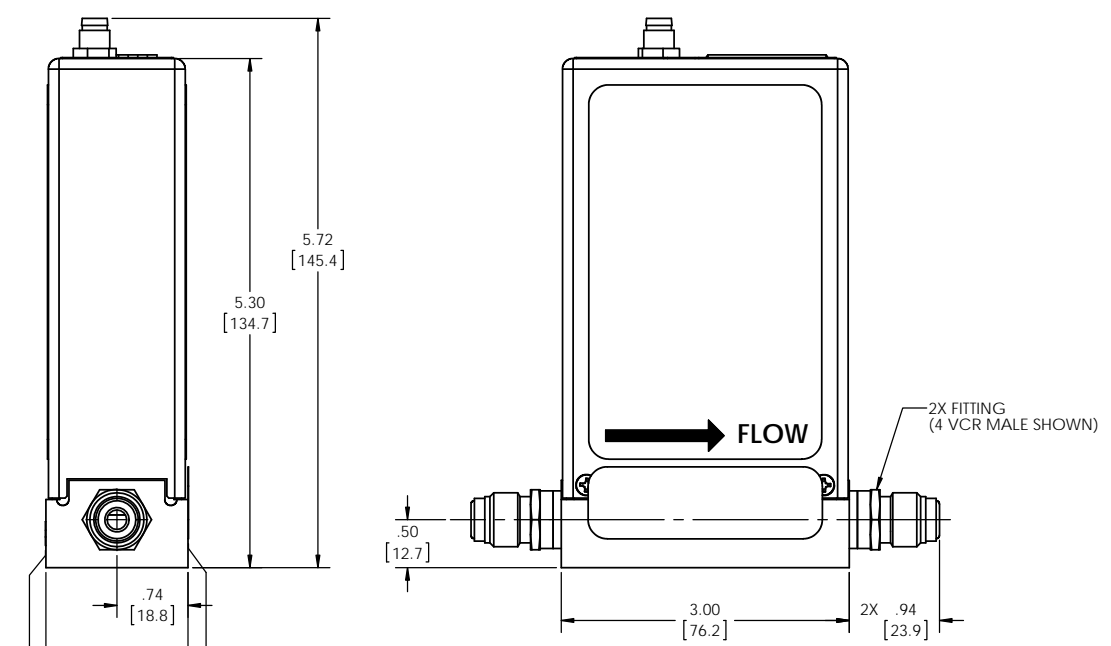
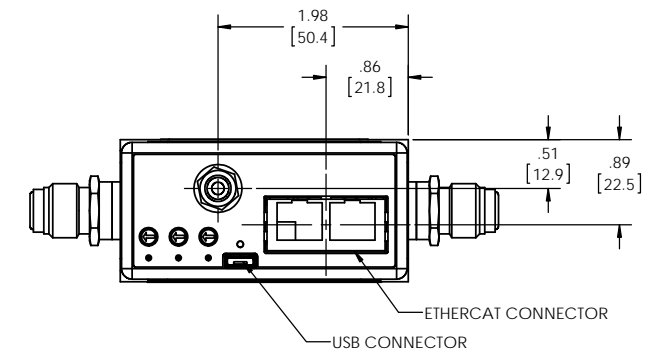


RoHS COMPLIANT

REVISIONS				
REV.	DESCRIPTION	CHKD	APPD	DATE
A	RELEASED PER ECO MVI- 022220	AK	JC	5/23/17



**PPCA - 4VCR ETHERCAT
DOWNSTREAM**



**PPCA - 4VCR ETHERCAT
UPSTREAM**

MATERIALS CERTIFICATION REQUIRED
WITH EACH DELIVERY OF THIS ITEM, THE MATERIAL CERTIFICATION MUST BE IN COMPLIANCE WITH THIS DRAWING AND REFERENCE SPECIFICATIONS. NO SUBSTITUTION OF MATERIAL (S) IS ALLOWED WITHOUT PRIOR WRITTEN PERMISSION OF MKS INSTRUMENTS, INC.

CAUTION
THIS PART IS USED IN CRITICAL HIGH ACCURACY PRESSURE AND FLOW CONTROL INSTRUMENTS. SPECIFIED DIMENSIONS AND SURFACE FINISHES ARE MANDATORY. USE EXTREME CARE IN HANDLING, PACKAGING AND SHIPPING THIS PART.

FITTING CODE	FITTING NAME	OVERALL LENGTH
R	4 VCR MALE	4.88"

PROPRIETARY AND CONFIDENTIAL
THIS DOCUMENT IS THE PROPERTY OF MKS INSTRUMENTS, INC., AND IS FURNISHED ON THE CONDITION THAT IT IS NOT TO BE REPRODUCED OR COPIED, AND IS NOT TO BE USED DIRECTLY OR INDIRECTLY IN THE MAKING OF DRAWINGS, PRINTS, APPARATUS, OR PARTS THEREOF, WITHOUT WRITTEN AUTHORIZATION. THE ACCEPTANCE OF THIS DOCUMENT WILL BE CONSTRUED AS ACCEPTANCE OF THE FOREGOING CONDITIONS, AND AS ADMISSION OF THE EXCLUSIVE OWNERSHIP BY MKS INSTRUMENTS, INC. OF THIS DOCUMENT.

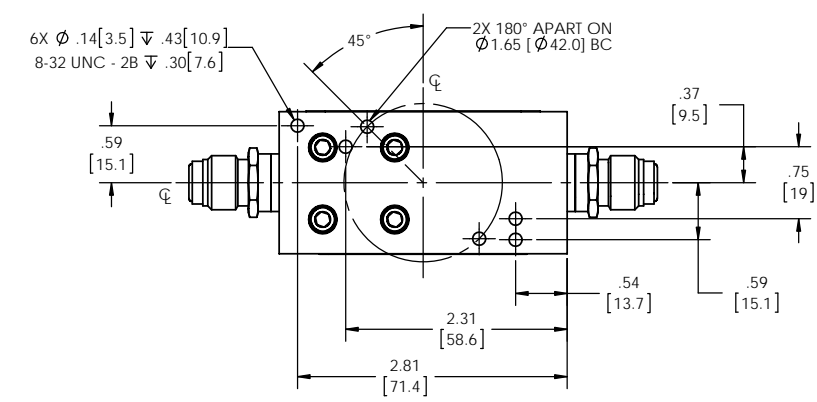
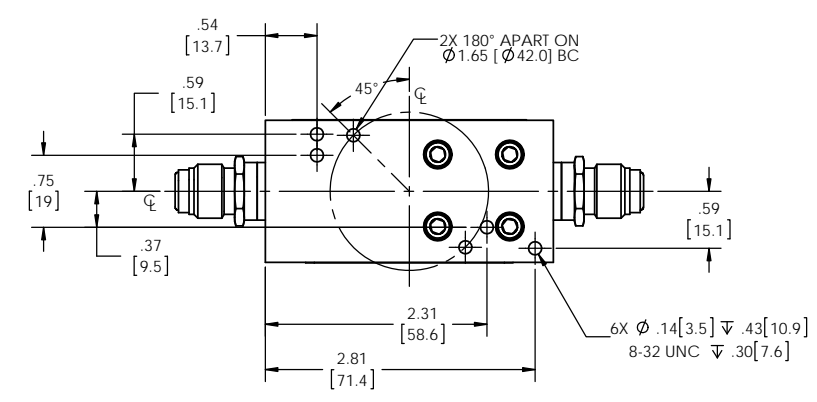
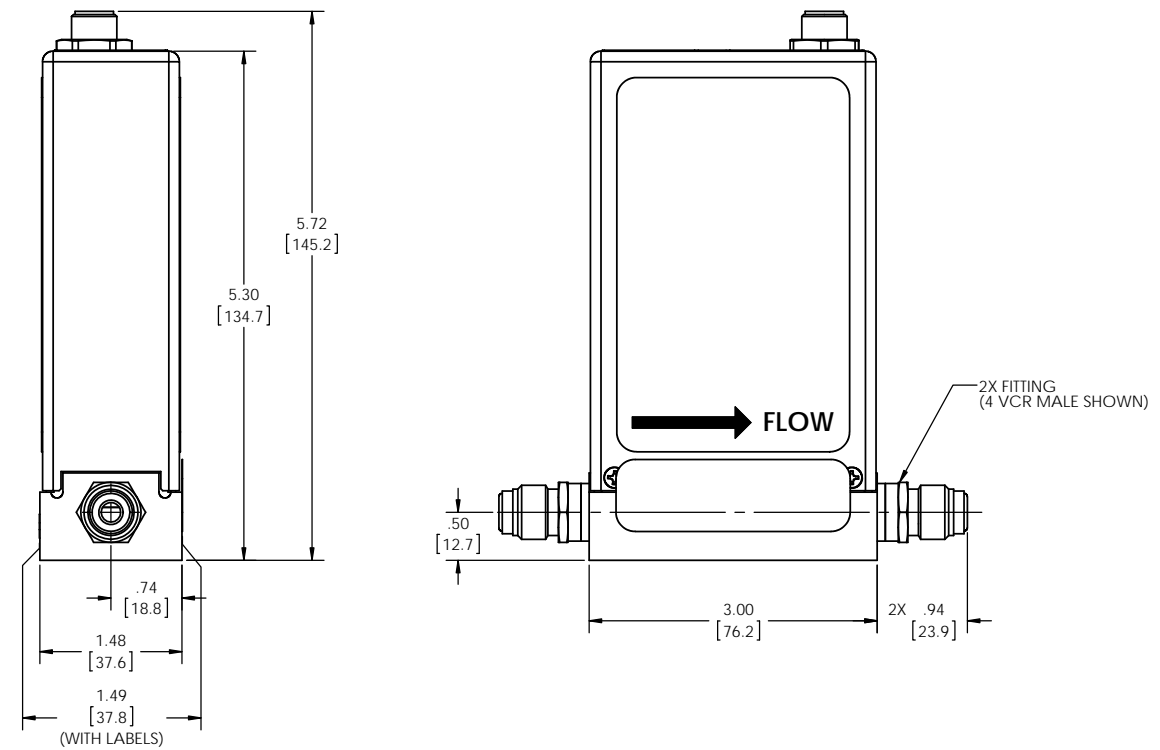
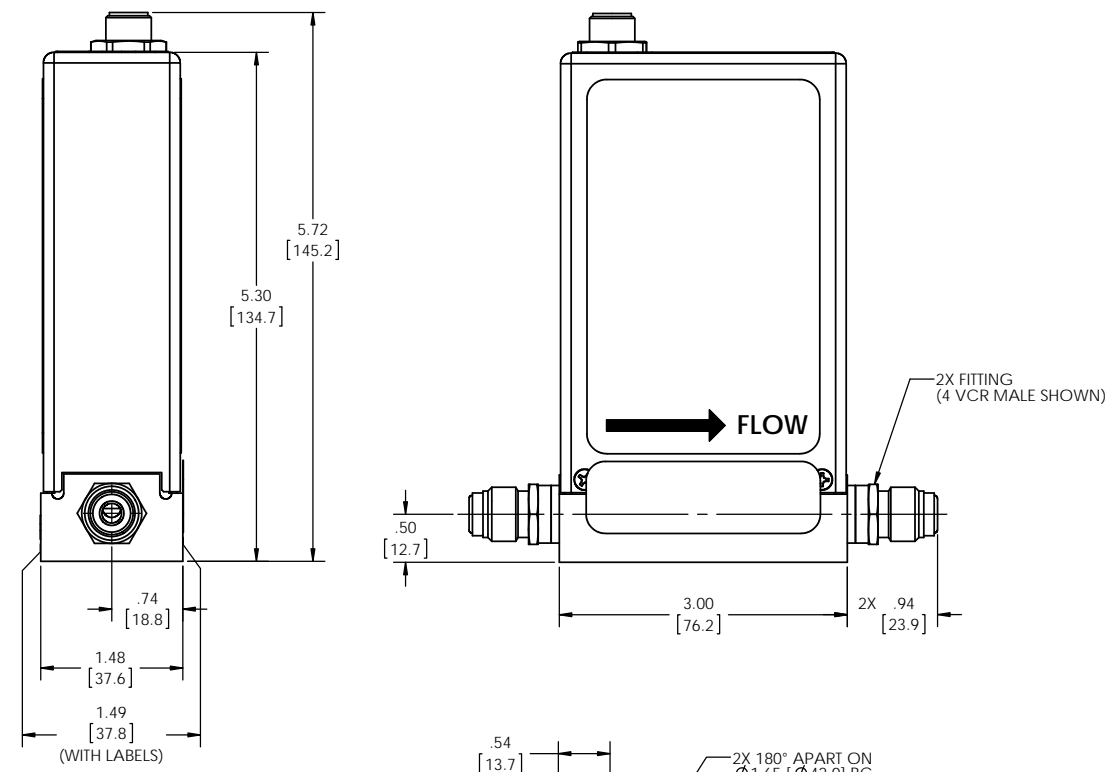
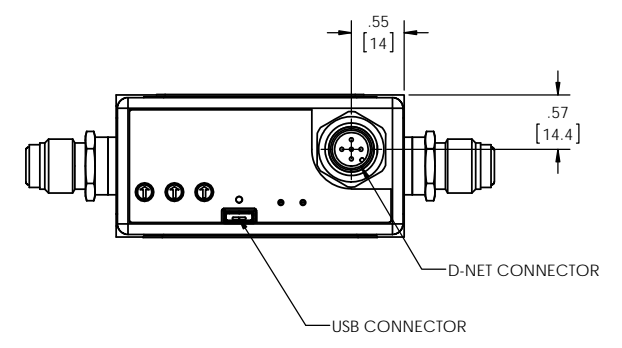
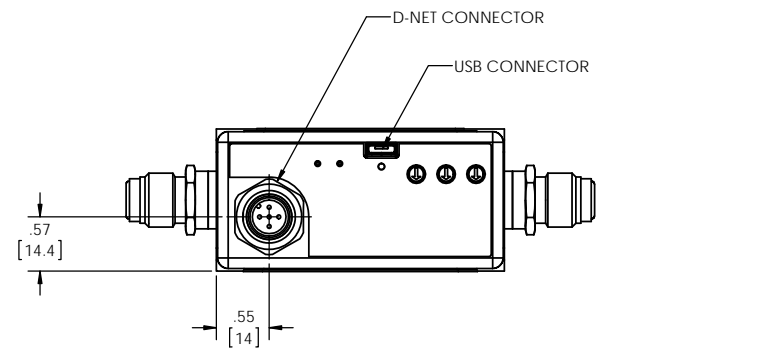
UNLESS OTHERWISE SPECIFIED, DIMENSIONS ARE IN INCHES & TOLERANCES ARE:	APPROVALS	DATE
DECIMALS: .000 ± .005	DRW: A. Kumar	8/26/16
ANGLES: ± 1°	MFG:	
MACHINE FINISH: XXXXX ± .010	ENG:	
DO NOT SCALE DRAWING		
INTERNET DIM AND CIL PER ASME Y14.5M-1994		
MATERIAL: See Note		
FINISH: See Note		

mks Technology for Precision
MKS INSTRUMENTS, INC.
 Six Shattuck Rd, Andover, MA 01810

TITLE: **OUTLINE DRAWING, MASS FLOW CONTROLLER, PPCA**

SIZE: DWG NO. **1071075** REV **A**

SCALE: 1:2 FILE: 1071075.SLDDRW SHEET 1 OF 2



**PPCA - 4VCR DNET
DOWNSTREAM**

**PPCA - 4VCR DNET
UPSTREAM**

MKS, INSTRUMENTS, INC. Six Shattuck Rd, Andover, MA 01810		
TITLE OUTLINE DRAWING, MASS FLOW CONTROLLER, PPCA		
SIZE D	DWG NO 1071075	REV A
SCALE: 1:2	FILE: 1071075.SLDDRW	SHEET 2 OF 2