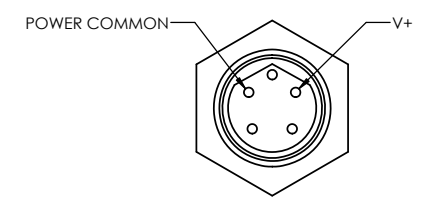
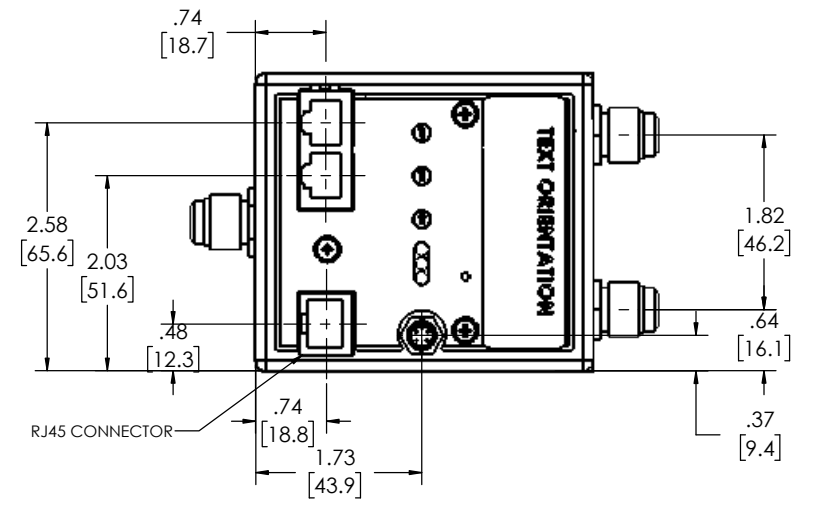
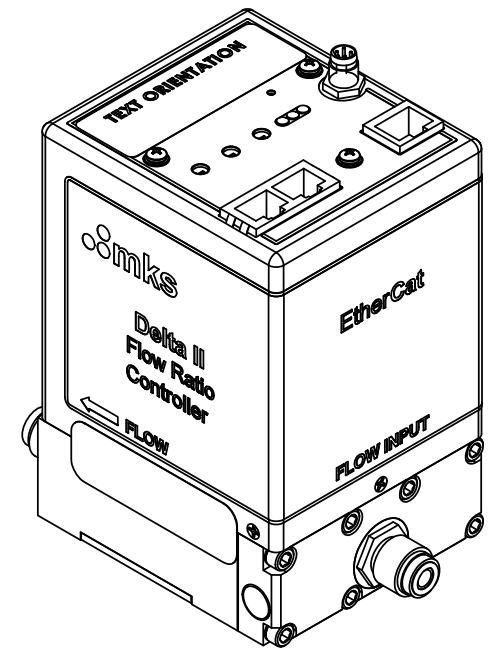
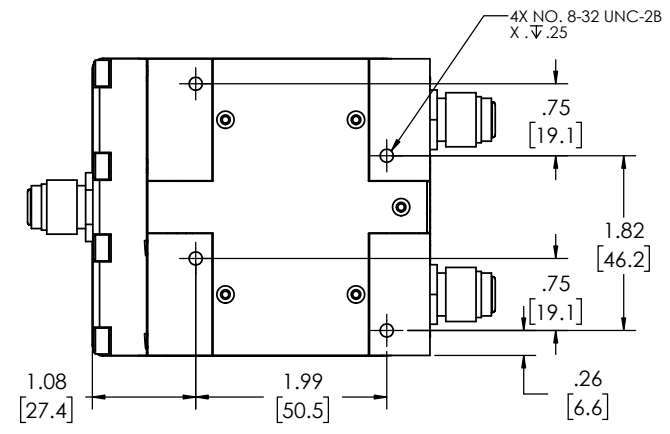
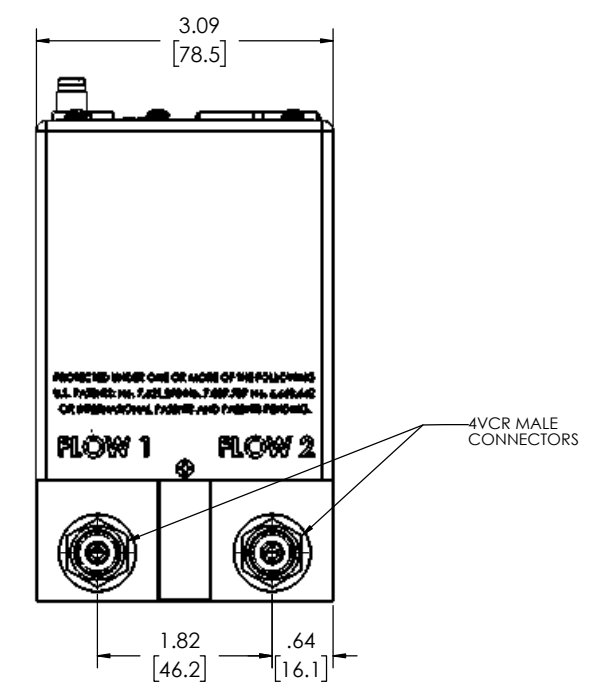
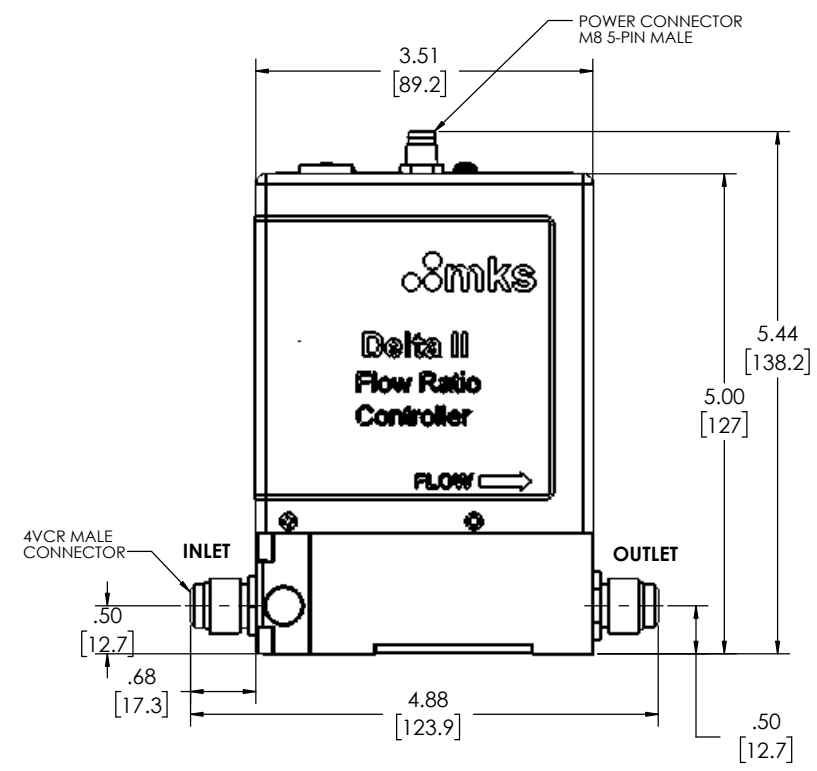
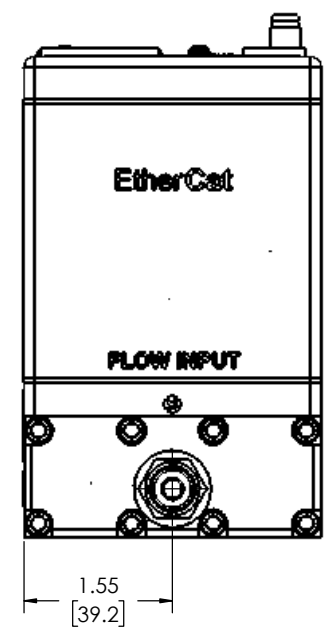


RoHS COMPLIANT

| REVISIONS | | | | |
|-----------|--|----------|-------|----------|
| REV | DESCRIPTION | BY/CHK'D | APP'D | DATE |
| A | FIRST DRAWN | | | |
| B | RELEASE TO PRODUCTION PER ECO-40067 | AK | | 1/11/21 |
| C | ADDED ANALOG AND D-NET STRETCH CONFIGURATION PER ECO-60758 | AK | | 10/17/22 |



ETHERCAT M8 POWER CONNECTOR PINOUT



ETHERCAT SHOWN

NOTES:
1. DIMENSIONS ARE NOMINAL VALUES IN INCHES (MM REFERENCED)

| | | | |
|--|------------------|--|--|
| PROPRIETARY AND CONFIDENTIAL | | THIS DOCUMENT IS THE PROPERTY OF MKS INSTRUMENTS, INC., AND IS FURNISHED ON THE CONDITION THAT IT IS NOT TO BE REPRODUCED OR COPIED, AND IS NOT TO BE USED DIRECTLY OR INDIRECTLY IN THE MAKING OF DRAWINGS, PRINTS, APPARATUS, OR PARTS THEREOF, WITHOUT WRITTEN AUTHORIZATION. THE ACCEPTANCE OF THIS DOCUMENT WILL BE CONSTRUED AS ACCEPTANCE OF THE FOREGOING CONDITIONS, AND AS ADMISSION OF THE EXCLUSIVE OWNERSHIP BY MKS INSTRUMENTS, INC. OF THIS DOCUMENT. | |
| UNLESS OTHERWISE SPECIFIED, DIMENSIONS ARE IN INCHES & TOLERANCES ARE: | APPROVALS | DATE | |
| DECIMALS ± .005 | DRW: M. COCKROFT | 11-9-17 | |
| ANGLES ± 0.5° | MFG: | | |
| XXX ± .010 | ENG: | | |
| XXXX ± .015 | | | |
| DO NOT SCALE DRAWING | | | |
| INTERNET DIM AND TOL PER ASME Y14.5M-1994 | | | |

mks Technology for Productivity

MKS, INSTRUMENTS, INC.
Six Shattuck Rd, Andover, MA 01810

TITLE: **OUTLINE DRAWING DLT2B**

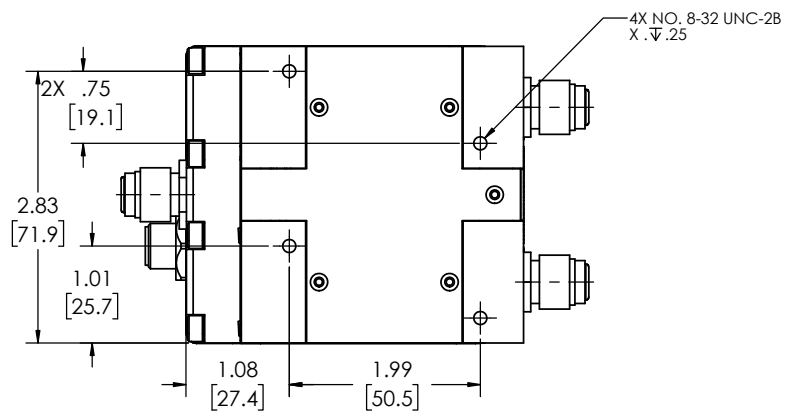
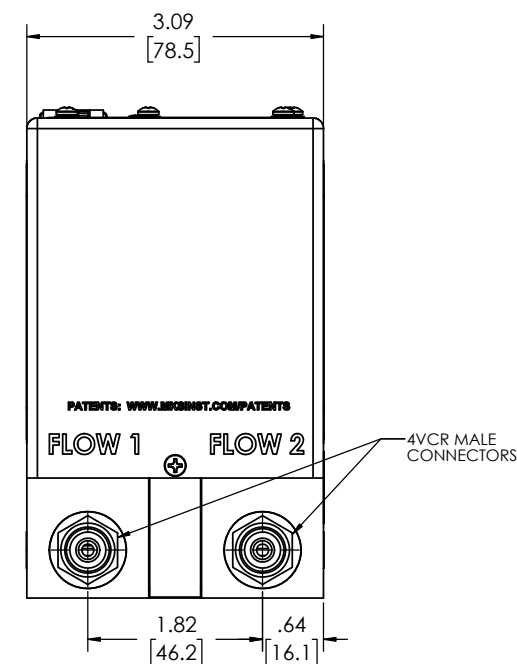
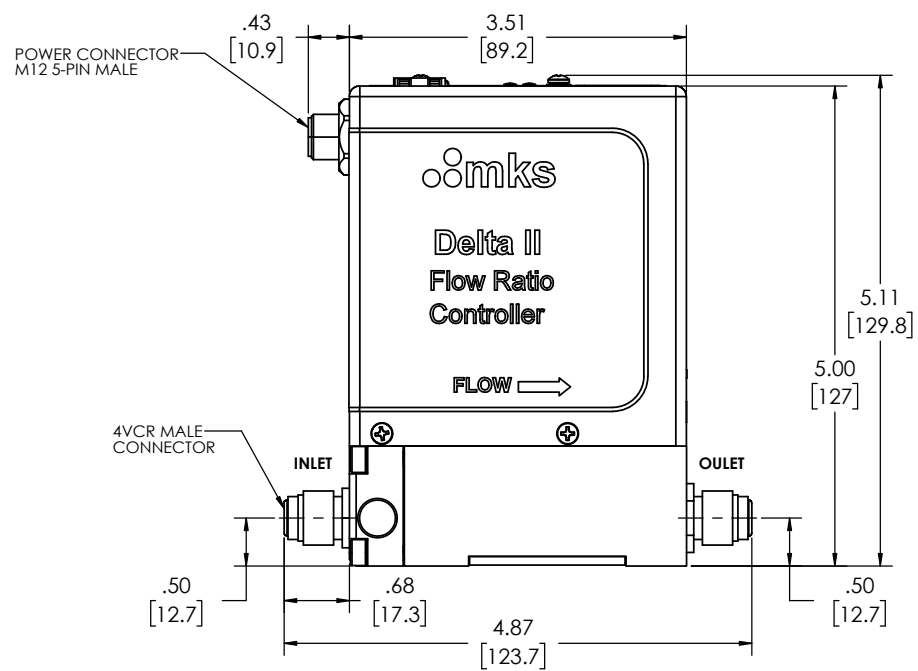
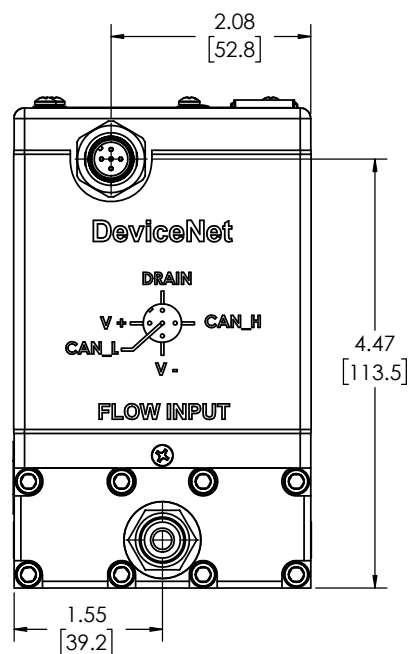
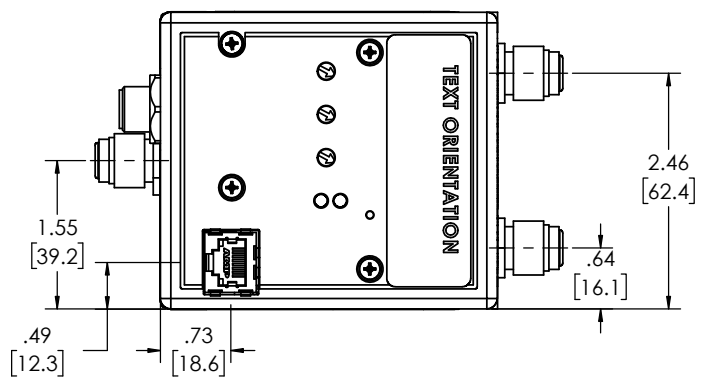
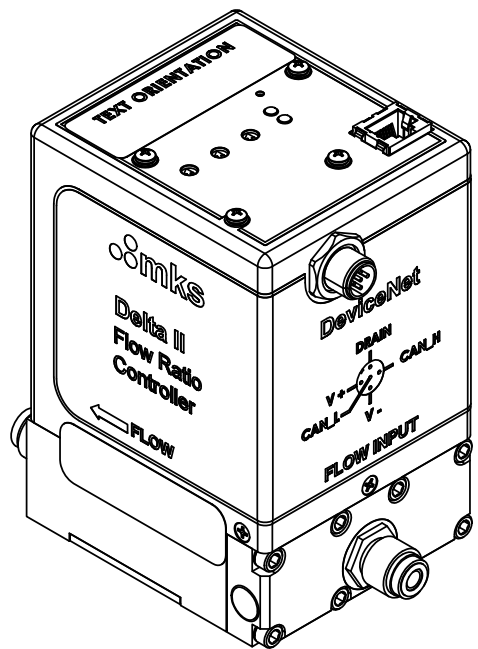
SIZE DWG NO: **1074444**

SCALE: 1:1

FILE: 1074444_outline.SLDDRW

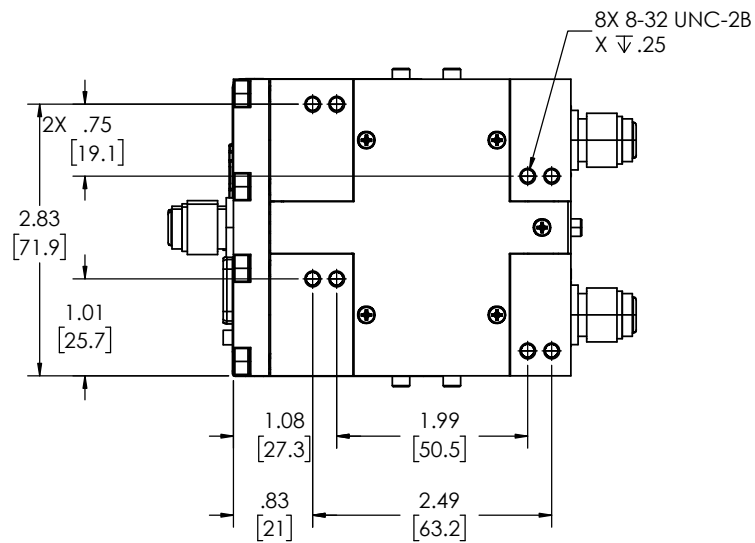
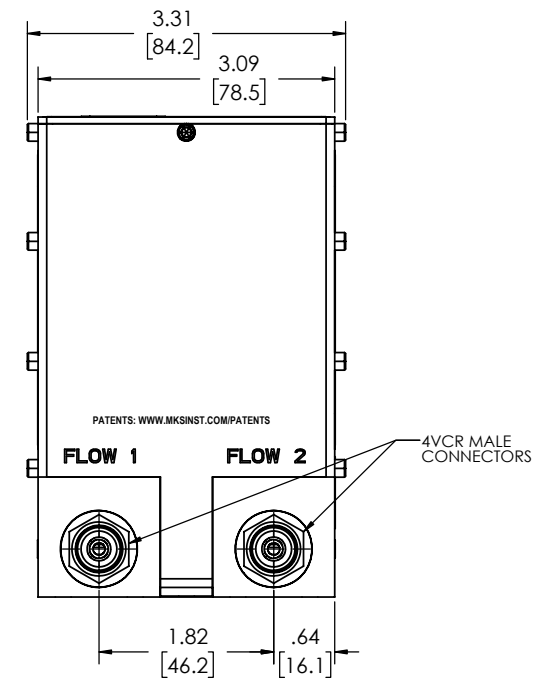
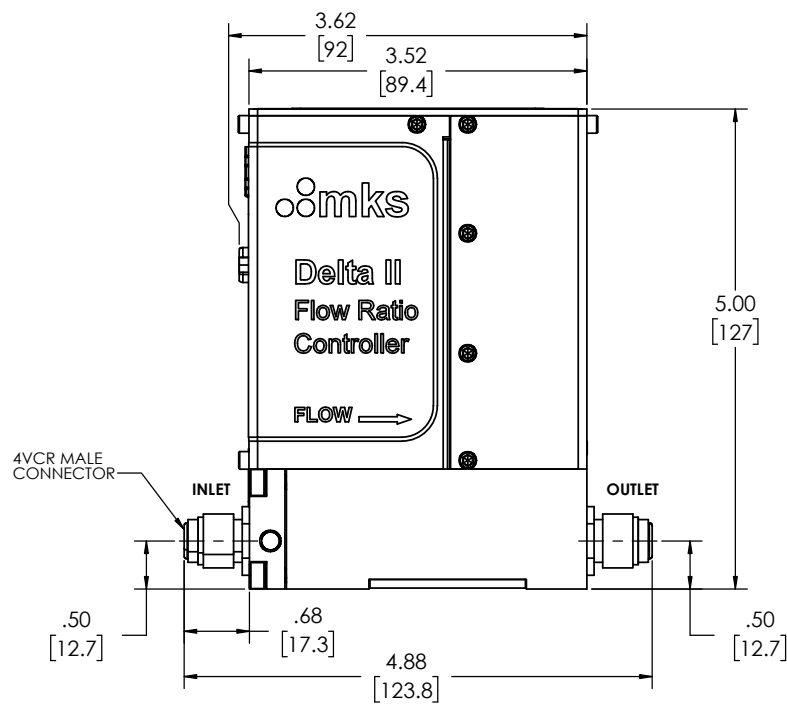
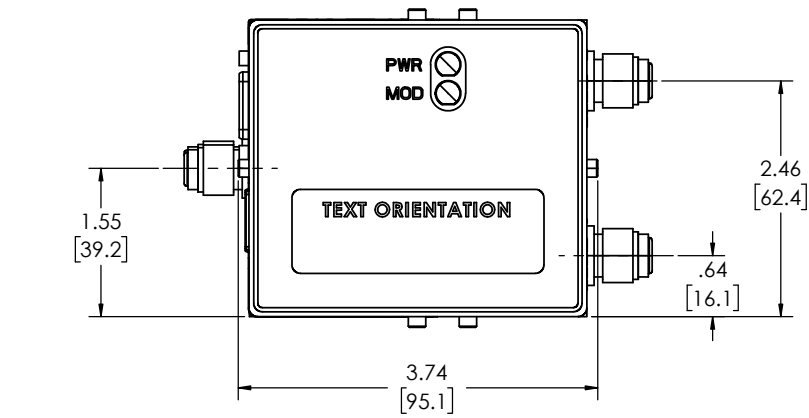
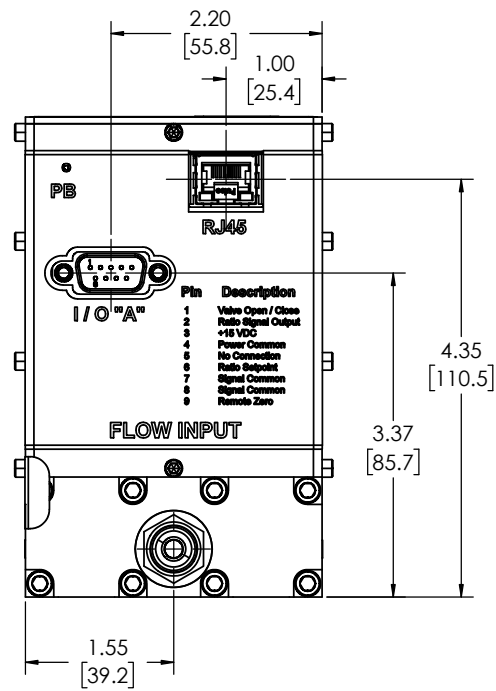
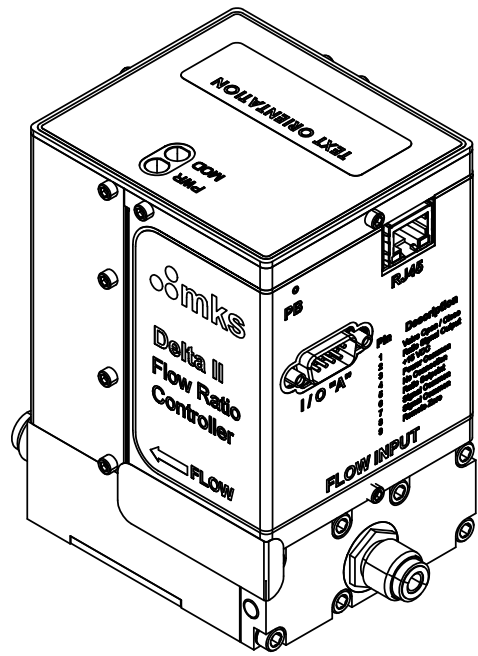
SHEET 1 OF 4

REV **C**



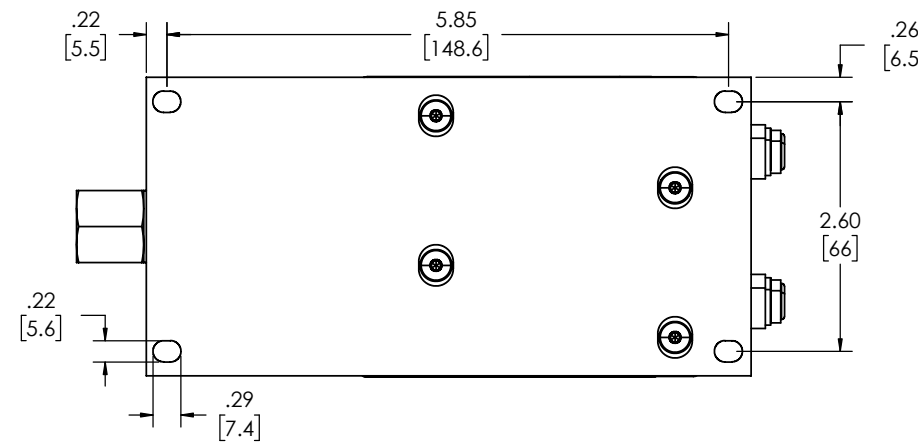
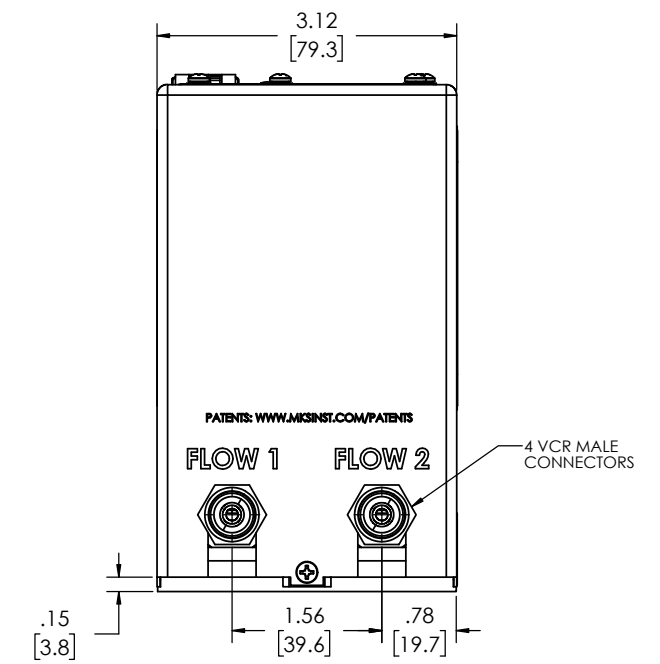
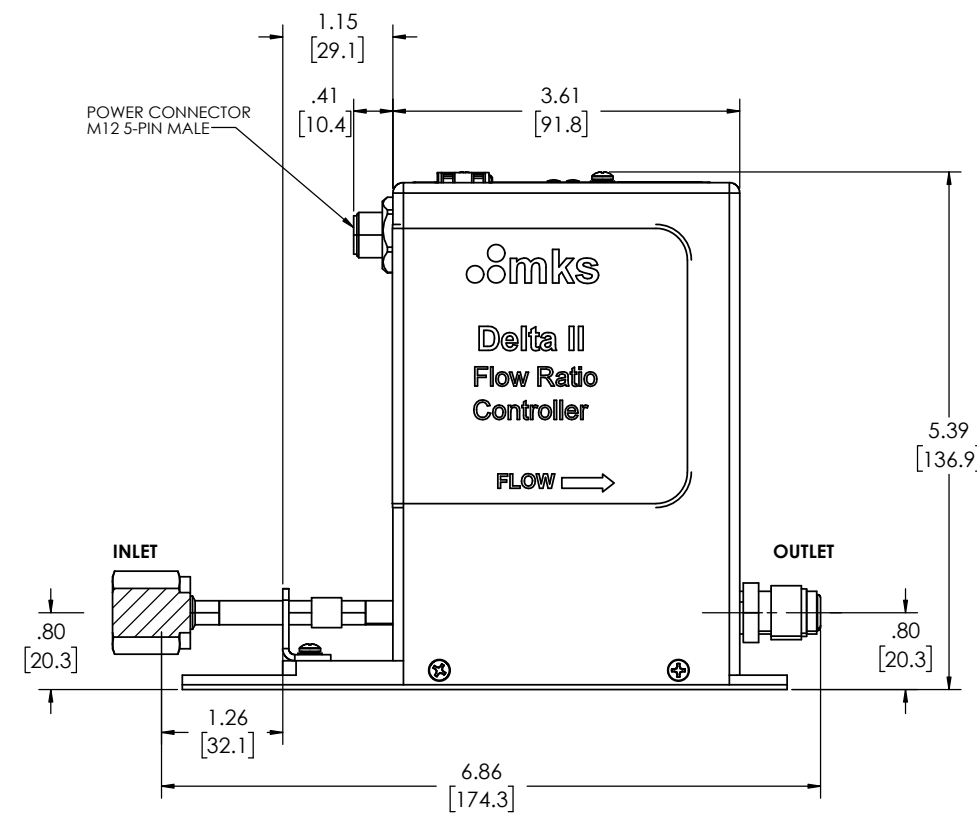
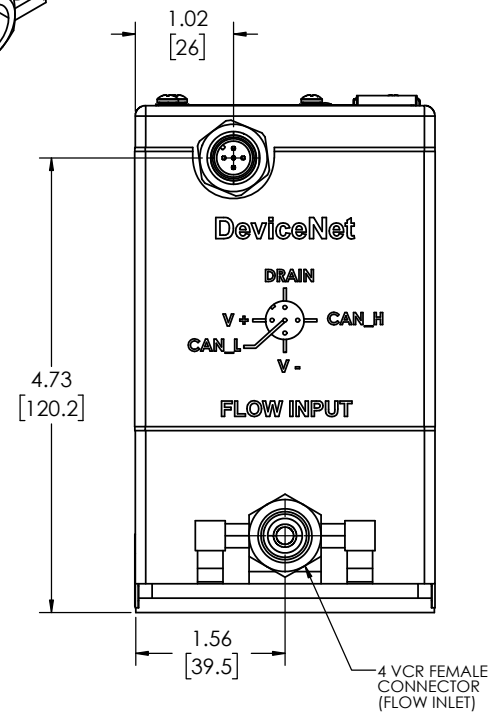
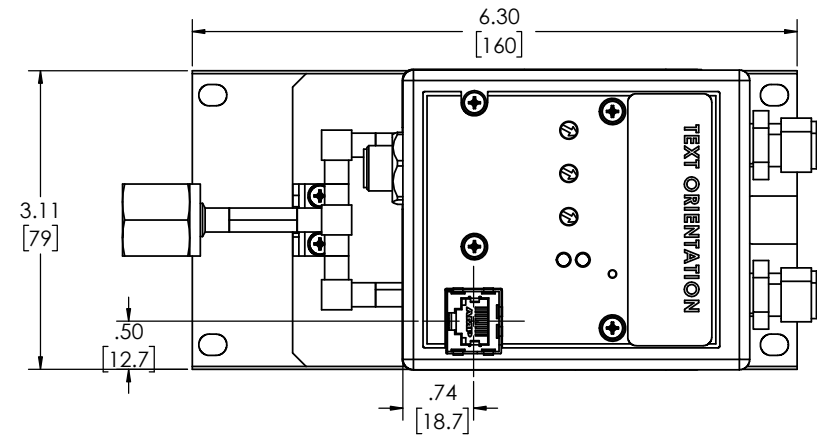
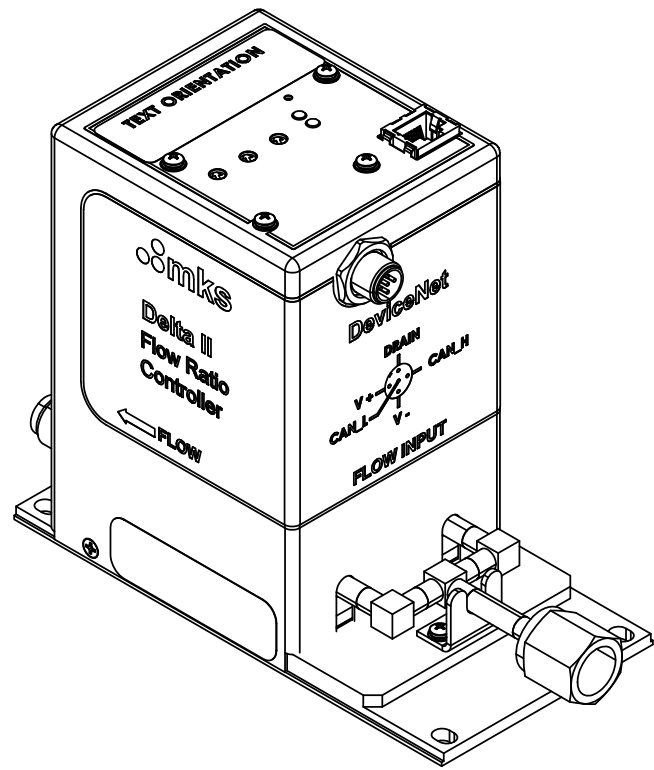
DEVICENET SHOWN

| | | |
|---|------------------------------|-----------------|
| MKS, INSTRUMENTS, INC. Six Shattuck Rd, Andover, MA 01810 | | |
| TITLE OUTLINE DRAWING DLT2B | | |
| SIZE D | DWG NO 1074444 | REV C |
| SCALE: 1:1 | FILE: 1074444_outline.SLDDRW | SHEET 2 OF 4 |



ANALOG SHOWN

| | | |
|---|------------------------------|-----------------|
| MKS, INSTRUMENTS, INC. Six Shattuck Rd, Andover, MA 01810 | | |
| OUTLINE DRAWING DLT2B | | |
| SIZE D | DWG NO 1074444 | REV C |
| SCALE: 1:1 | FILE: 1074444_outline.SLDDRW | SHEET 3 OF 4 |



DEVICENET STRETCH SHOWN

| | | |
|---|------------------------------|--------------|
| MKS, INSTRUMENTS, INC. Six Shattuck Rd, Andover, MA 01810 | | |
| OUTLINE DRAWING DLT2B | | |
| SIZE | DWG NO | REV |
| D | 1074444 | C |
| SCALE: 1:1 | FILE: 1074444_outline.SLDDRW | SHEET 4 OF 4 |