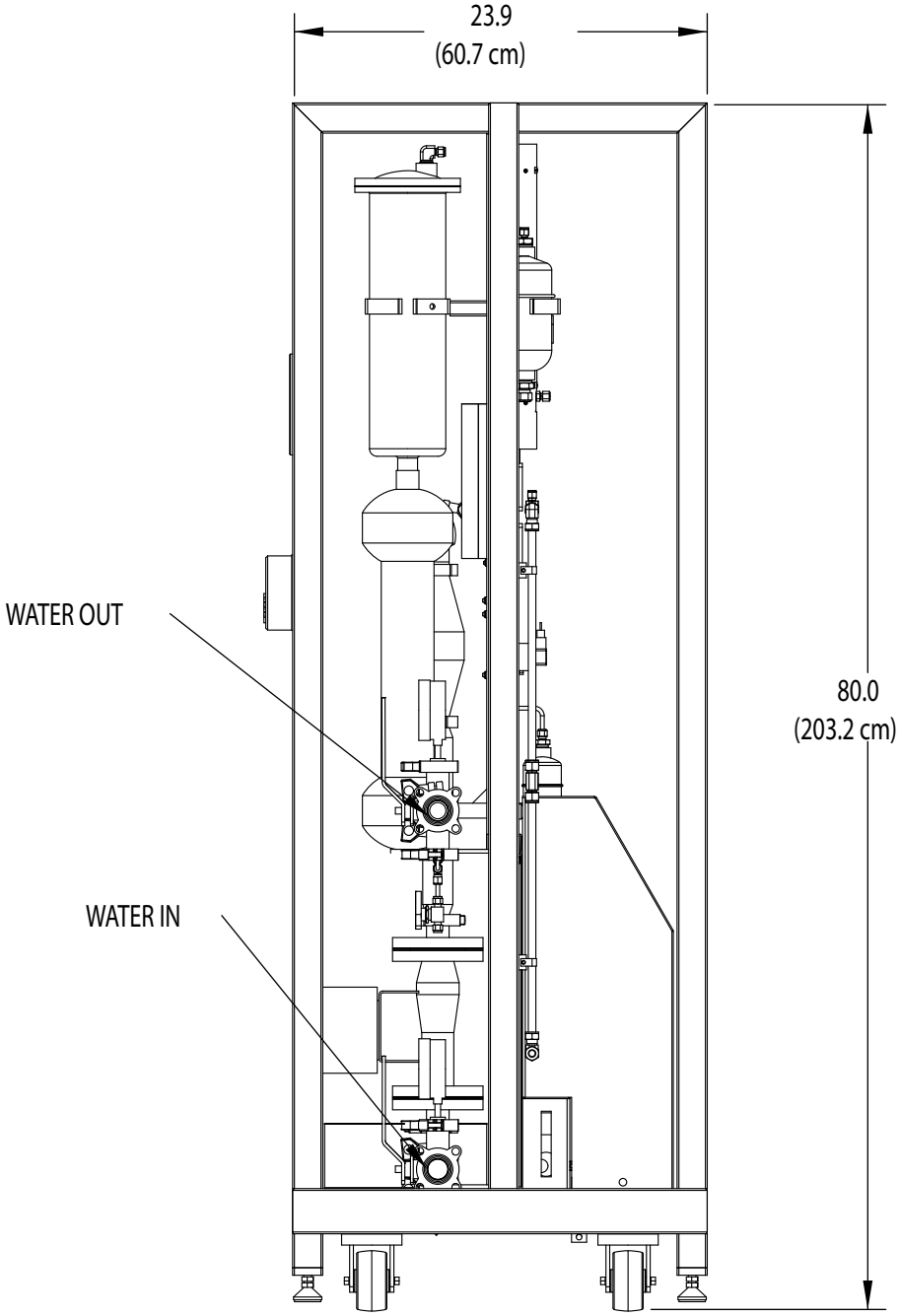
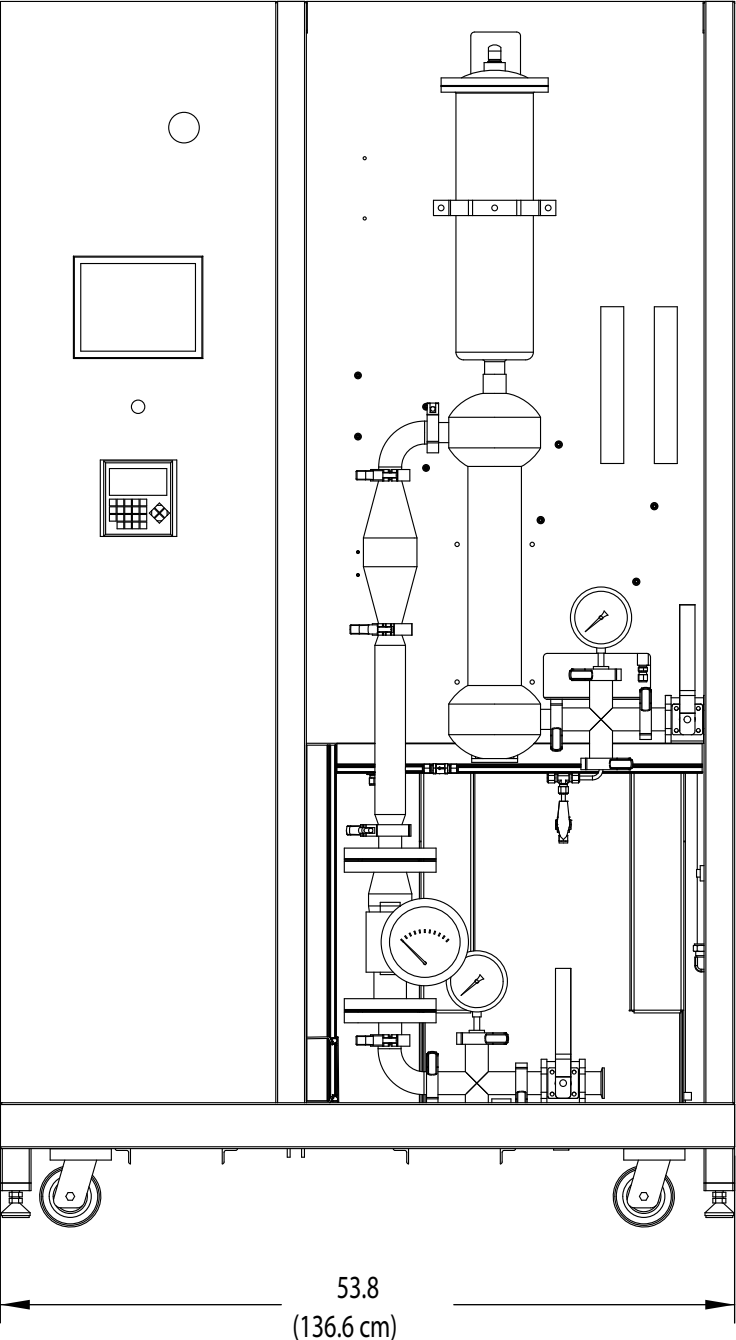
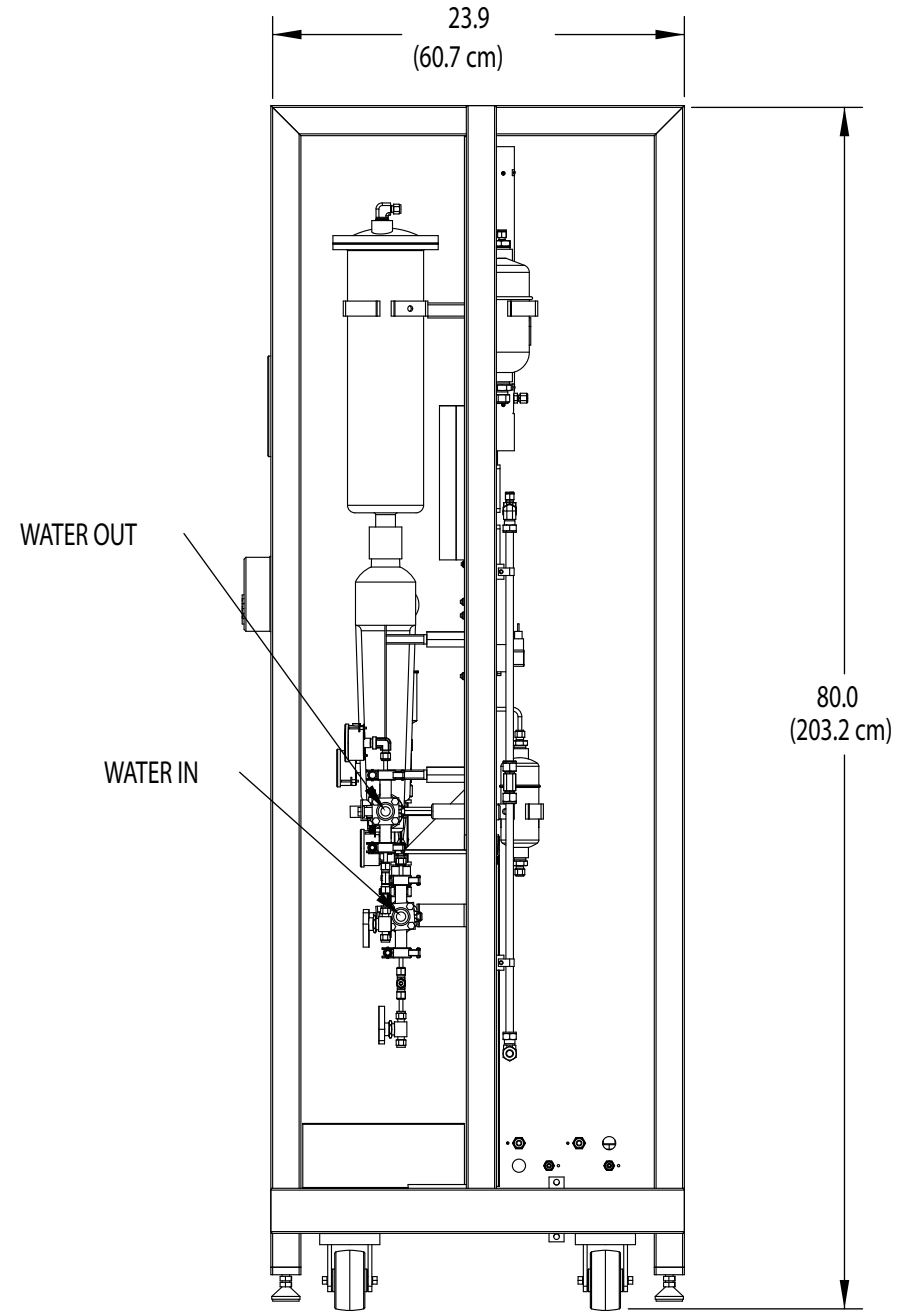
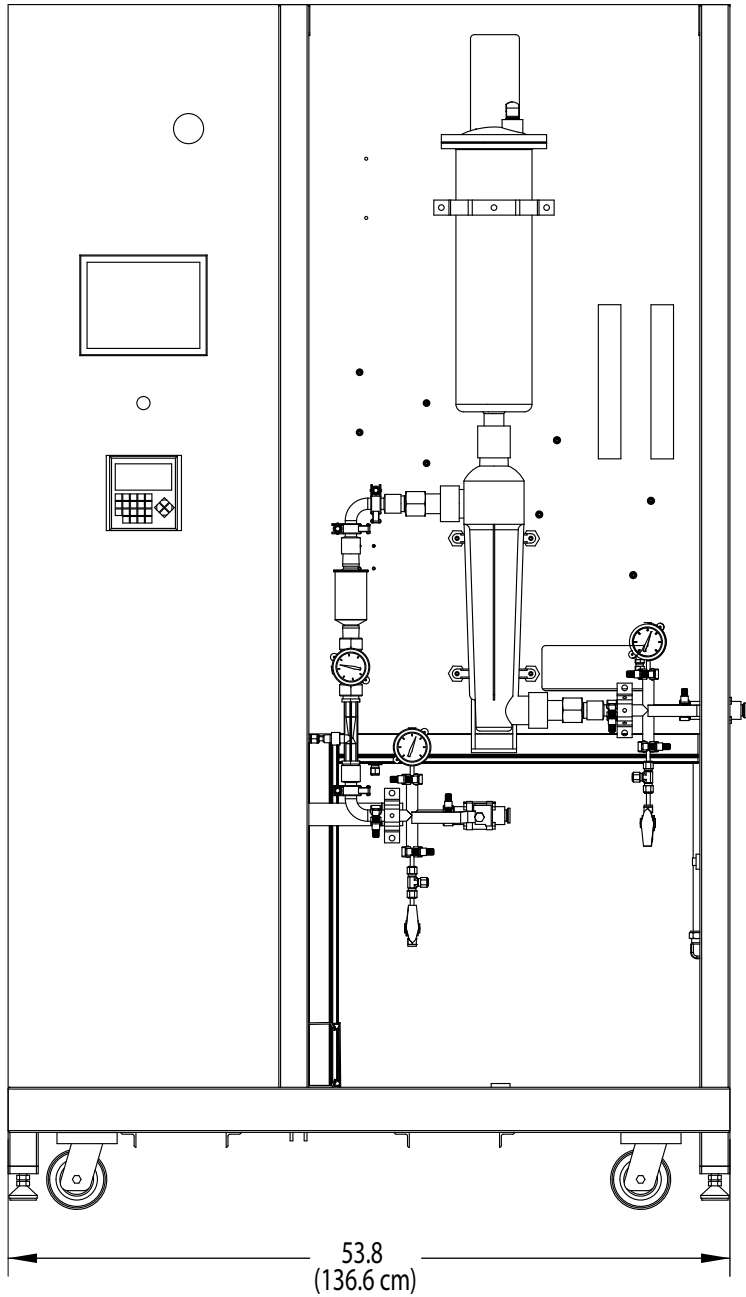


AX8600-01



Dimensional Drawing —
Note: Unless otherwise specified, dimensions are nominal values in inches (millimeters referenced).

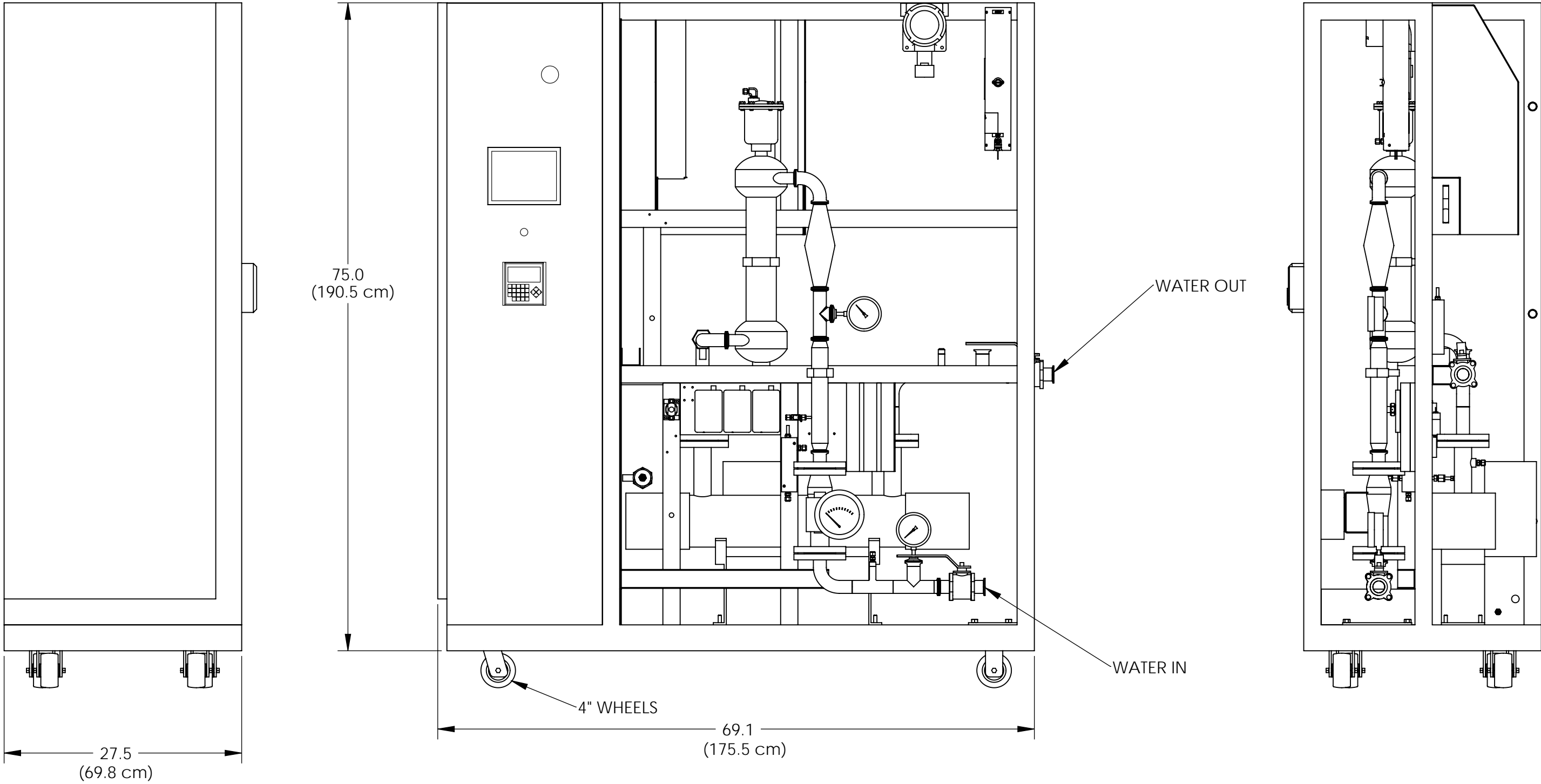
AX8600-02



Dimensional Drawing —

Note: Unless otherwise specified, dimensions are nominal values in inches (millimeters referenced).

AX8600-03



Dimensional Drawing —
Note: Unless otherwise specified, dimensions are nominal values in inches (millimeters referenced).