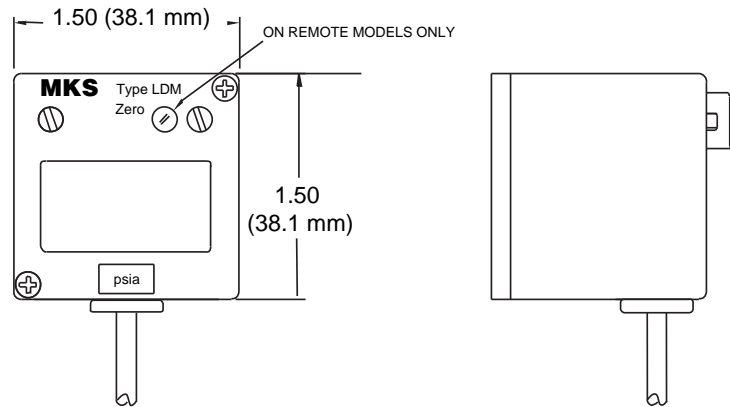


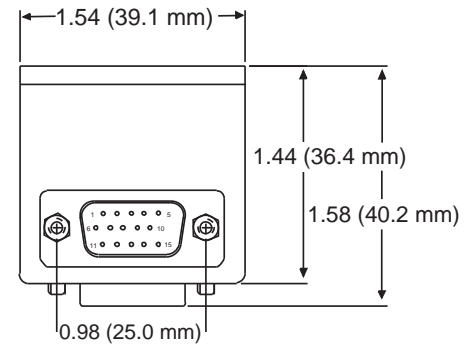
Dimensional Drawing —

Note: Unless otherwise specified, dimensions are nominal values in inches (mm referenced).

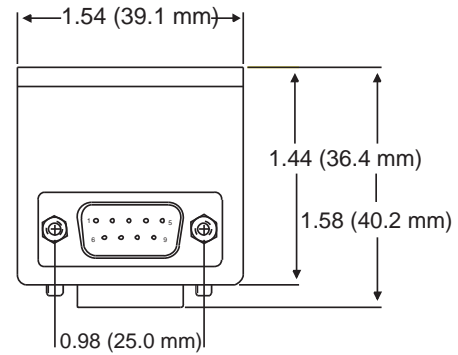
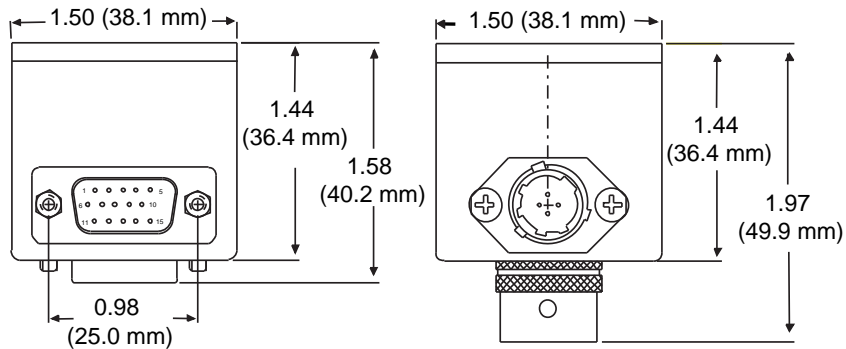
LDM-A



LDM-D



15-pin Type "D"



9-pin Type "D"

