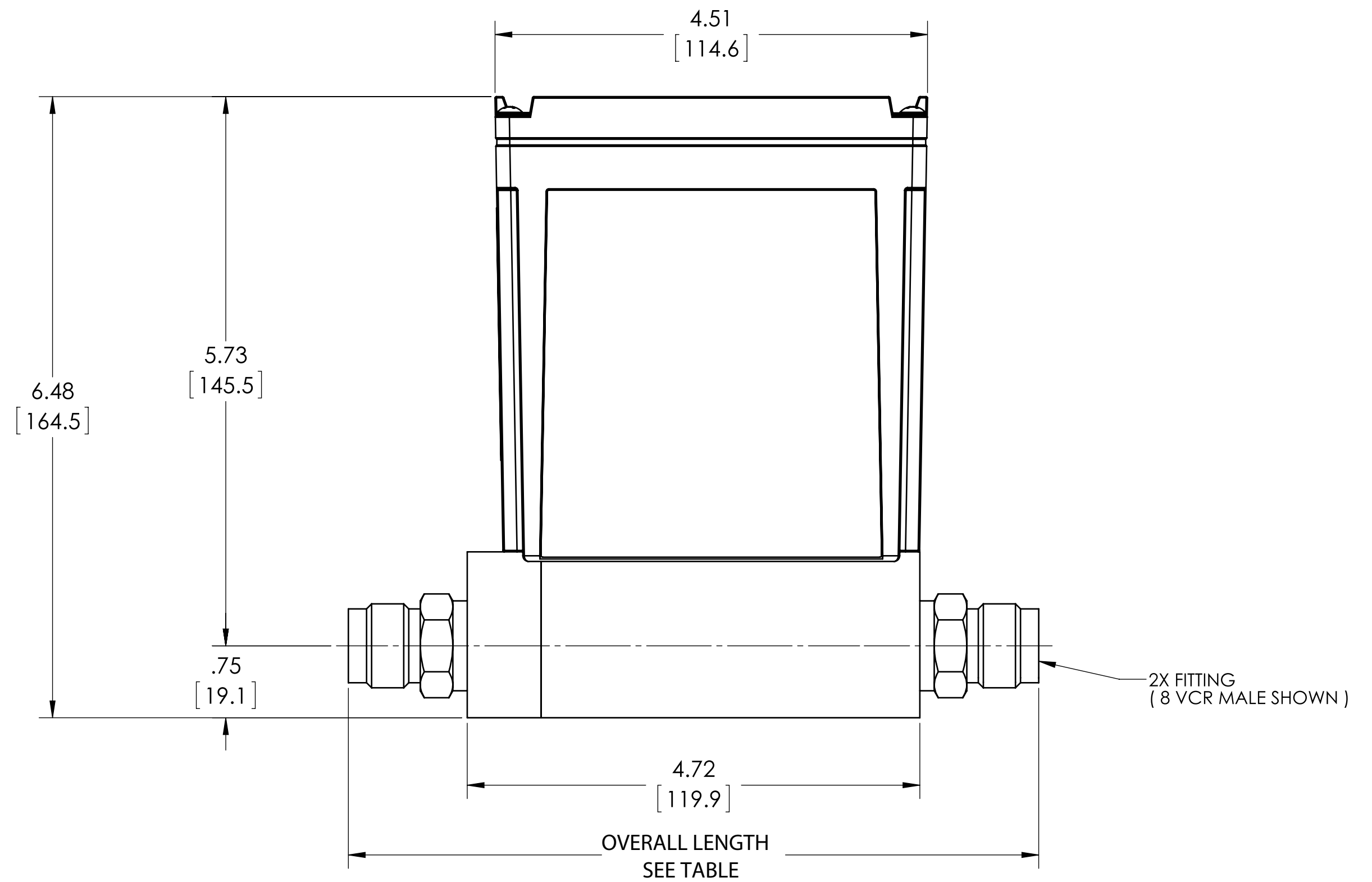
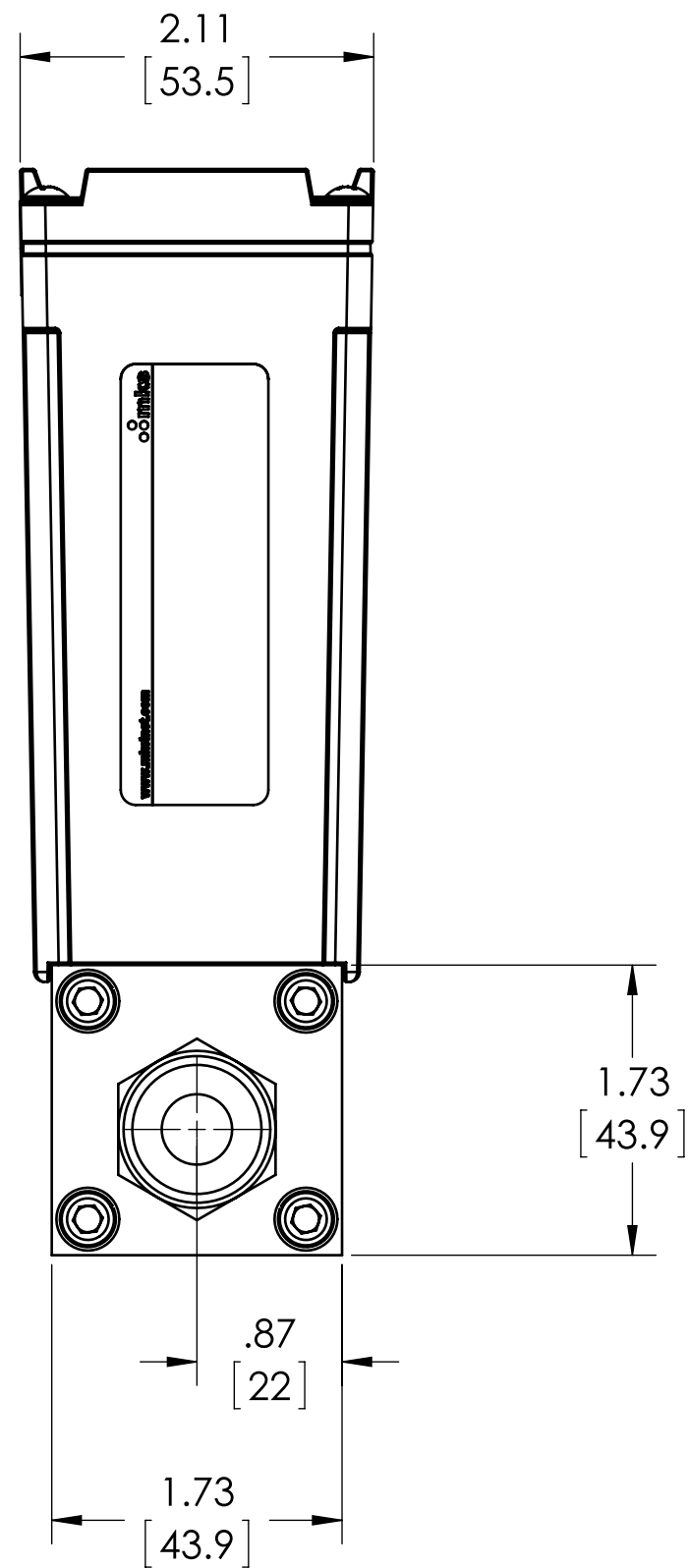
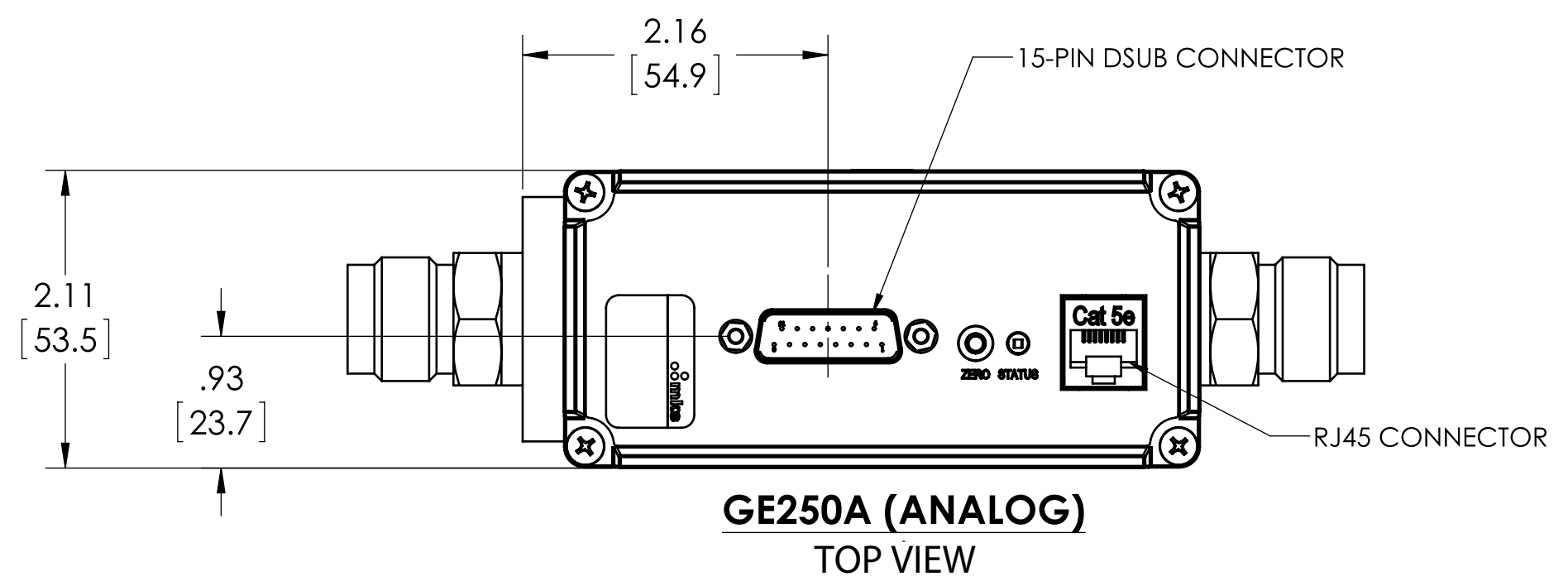


Dimensional Drawing

Note: Unless specified, dimensions are nominal values in inches (mm referenced).

*(See manual for additional I/O and fitting types)



Fitting Code	Fitting Name	Overall Length
D	8 VCO Male	6.78"
M	1/2" NPT Female	7.36"
S	1/2" Compression	6.35"
T	8 VCR Male	7.20"
H	9/16-18 UNF	6.22"
W	1/2" Compression Long	8.25"
L	8 VCR Male Long	8.63"
J	3/8" Compression	6.34"
F	12mm Compression	6.34"
Q	8 VCO Male Long	8.31"

