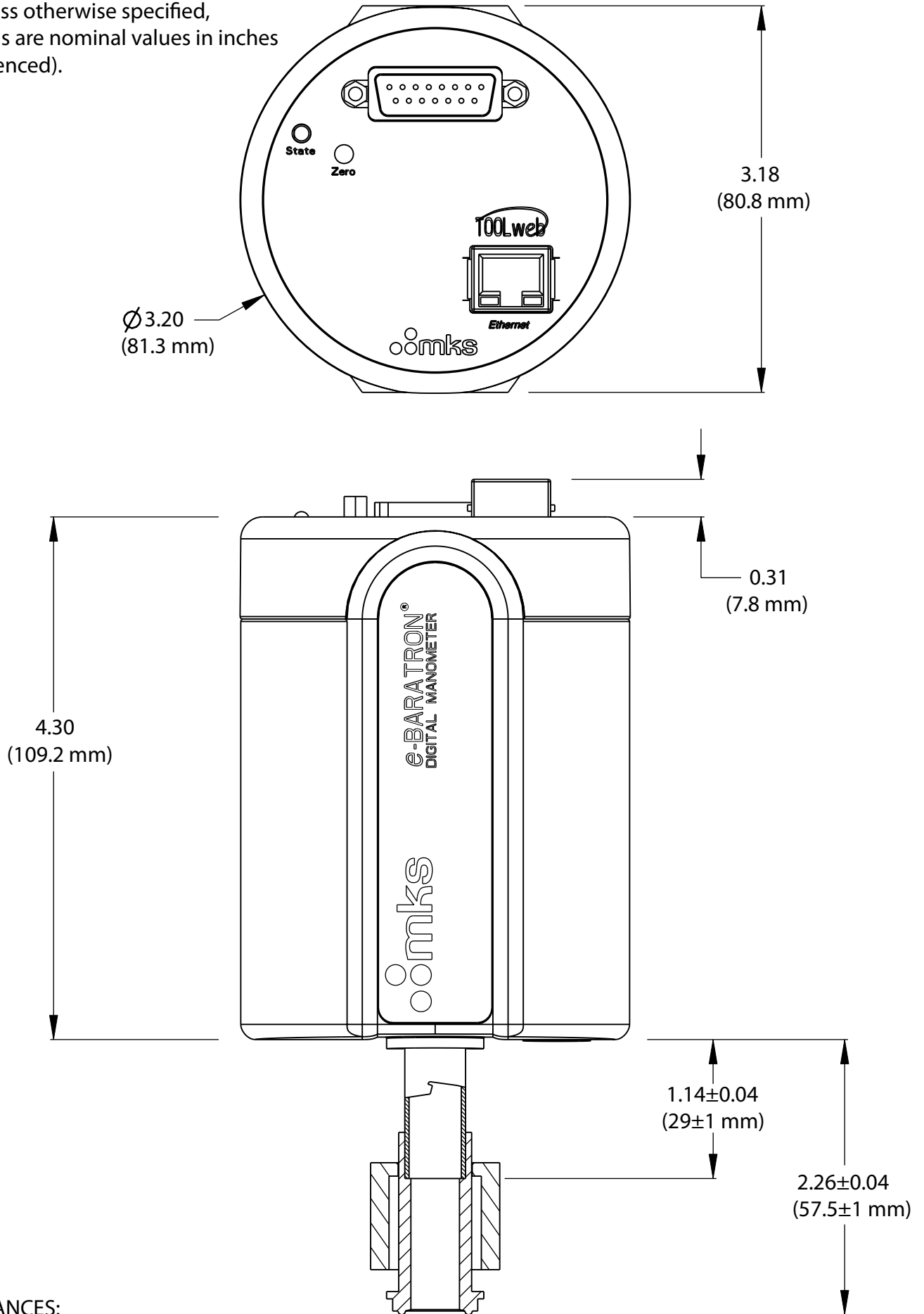


Dimensional Drawing —

Note: Unless otherwise specified,
dimensions are nominal values in inches
(mm referenced).



TOLERANCES:
UNLESS SPECIFIED
XX = 0.02