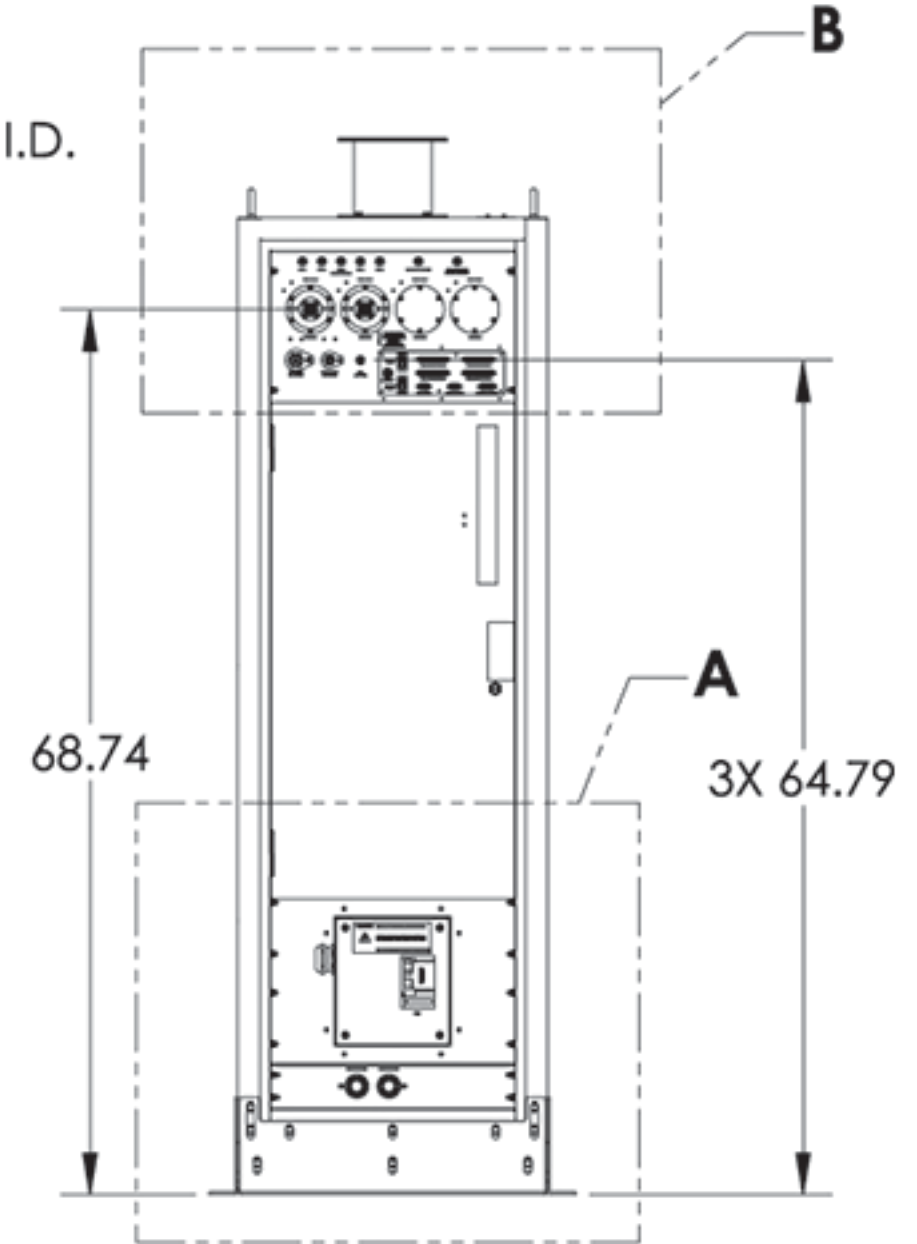
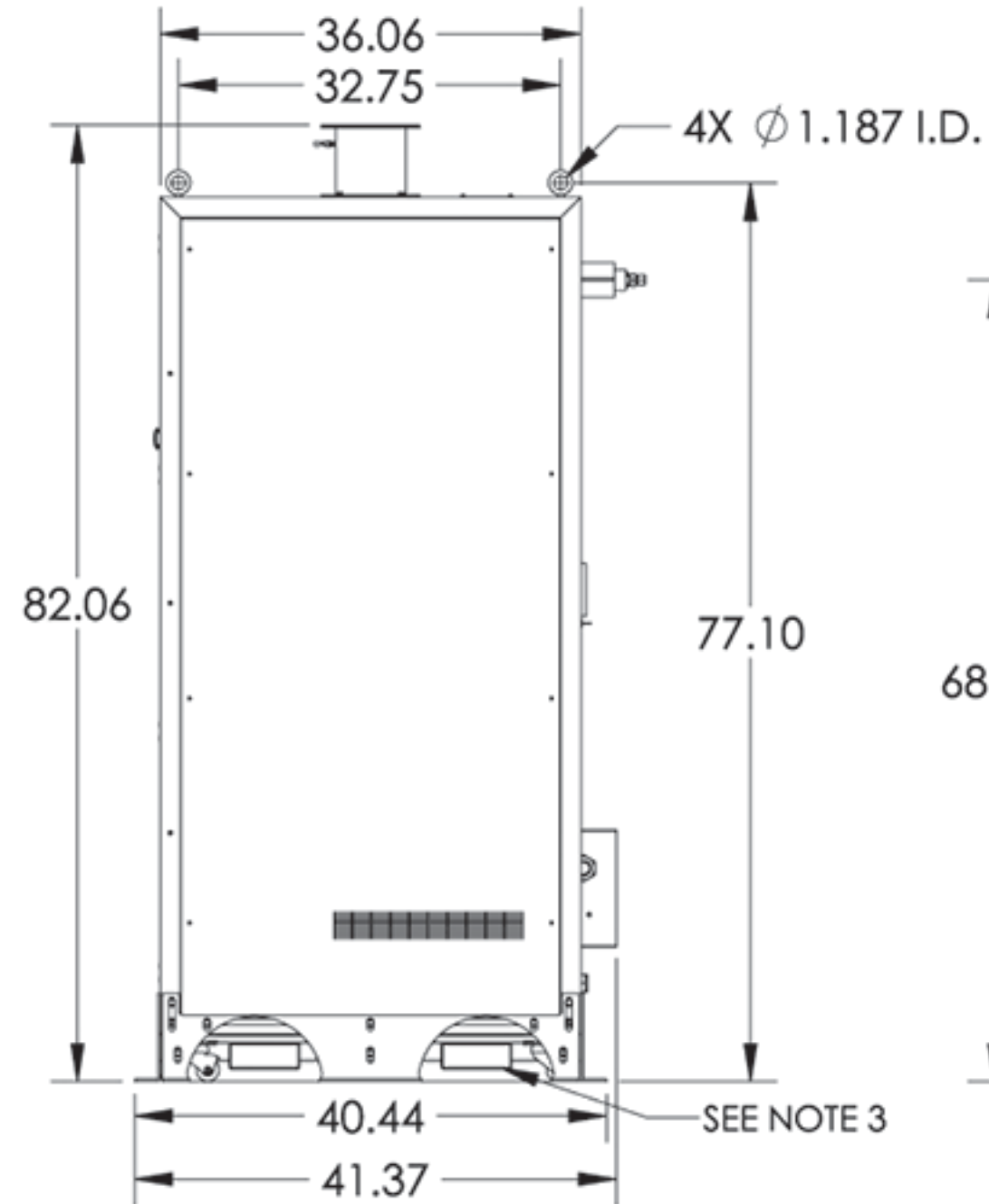
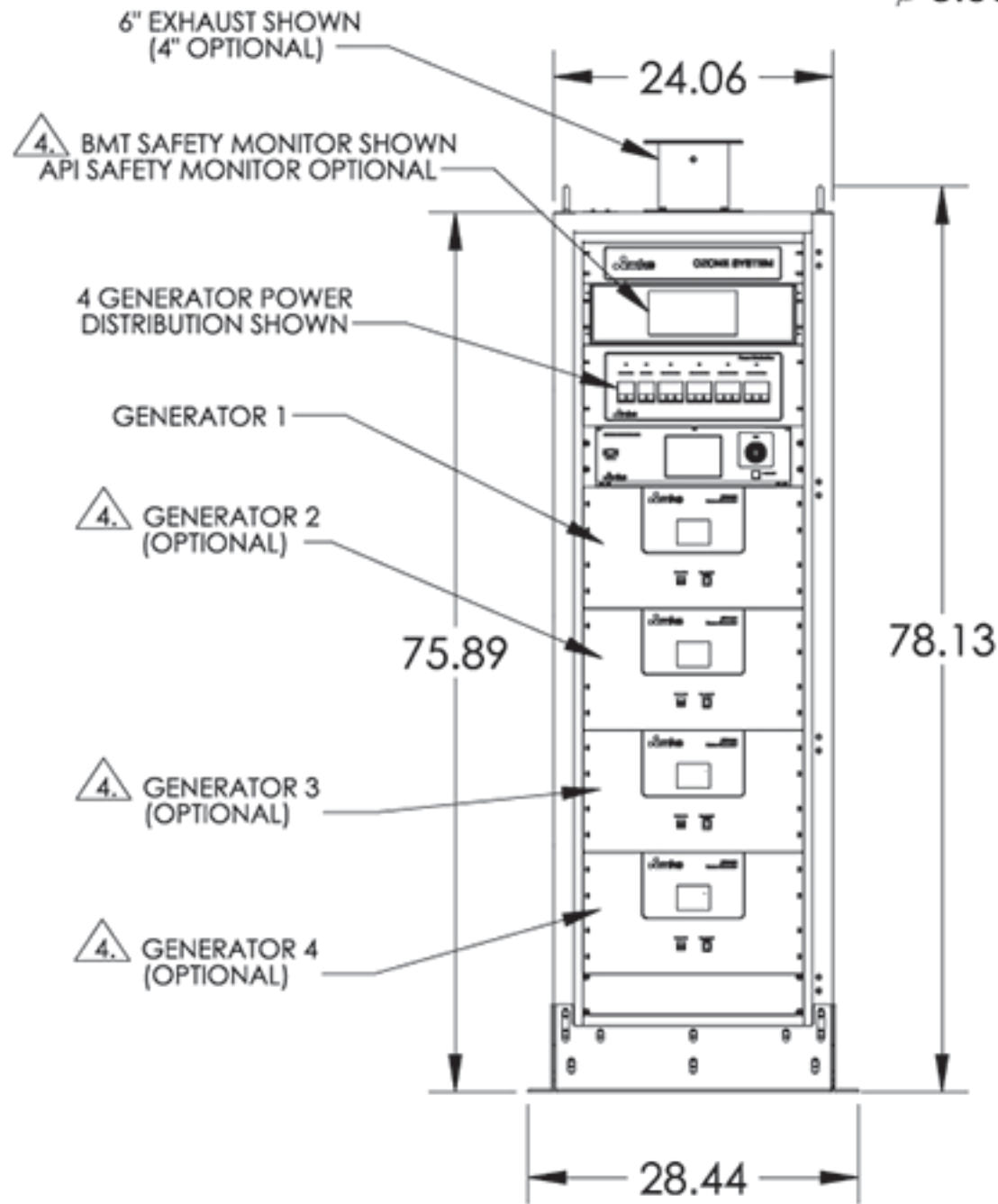
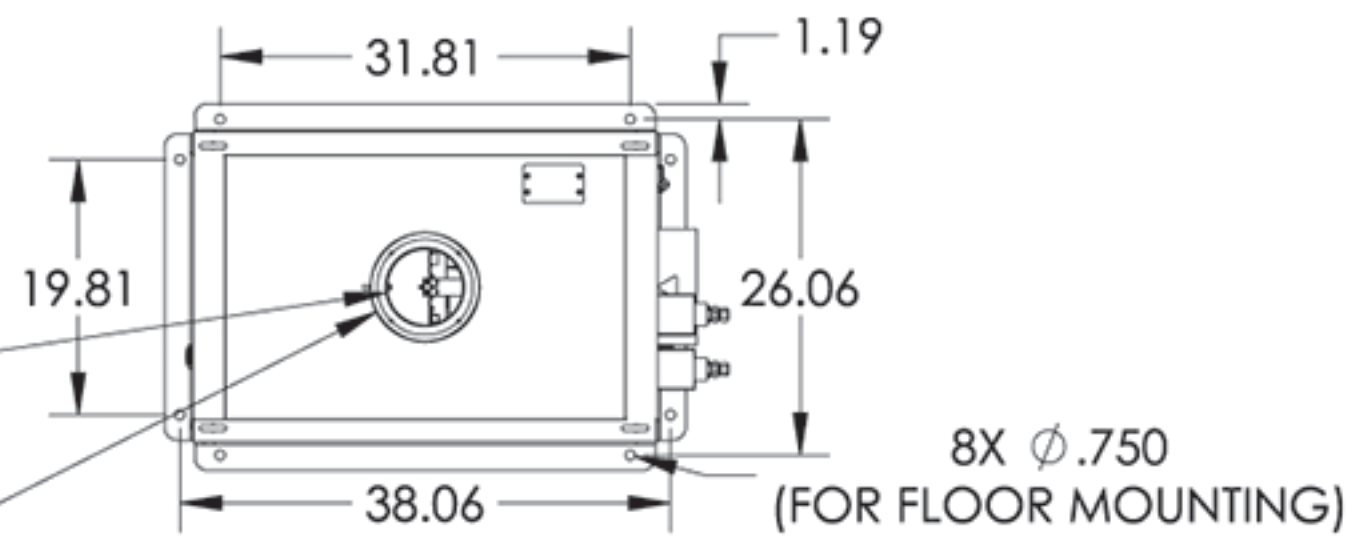


AIR EXHAUST:  
 $\phi$  5.88 CUTOUT WITH  
 FOUR  $\phi$ .31 HOLES EQ.  
 SPACED ON A  $\phi$  7.42 B.C.

$\phi$  8.50



NOTES:

1. SWIVEL CASTORS, LEVELLING FEET, AND SEISMIC BRACE COMBINATION.
2. ALL FLOOR HEIGHTS ARE WITH CASTORS TOUCHING THE FLOOR. LEVELLING FEET ALLOW CASTORS TO RAISE 3/16" MAXIMUM.

3. 6.04" x 2.19" I.S TUBING ON 18.19" CENTERS FOR FORKLIFT BLADES.
4. WHEN OPTIONAL COMPONENTS ARE NOT USED, EMPTY SPACES WILL BE FILLED WITH BLANK PANELS.

Dimensional Drawing —

Note: Unless otherwise specified, dimensions are nominal values in inches.