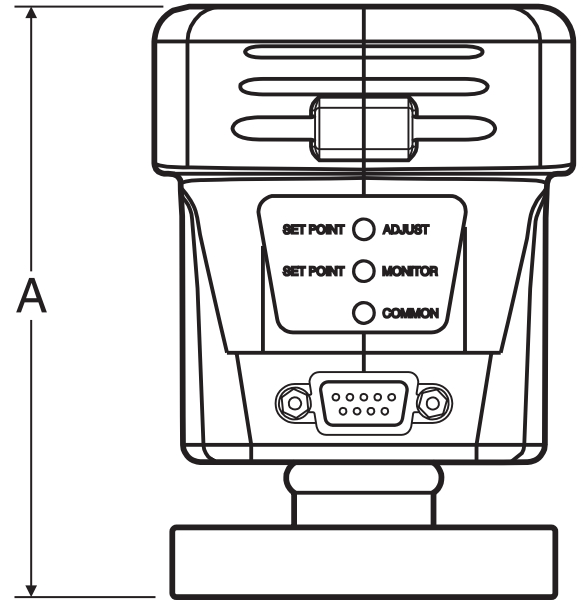
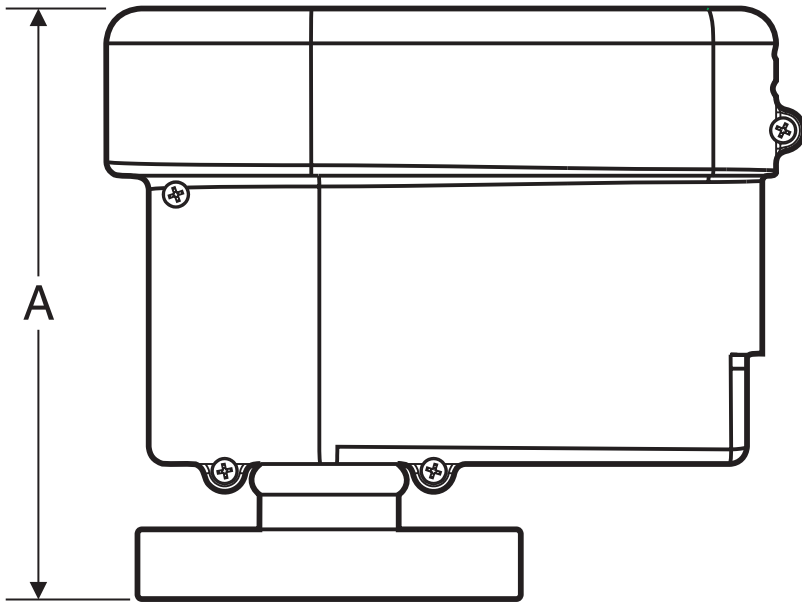
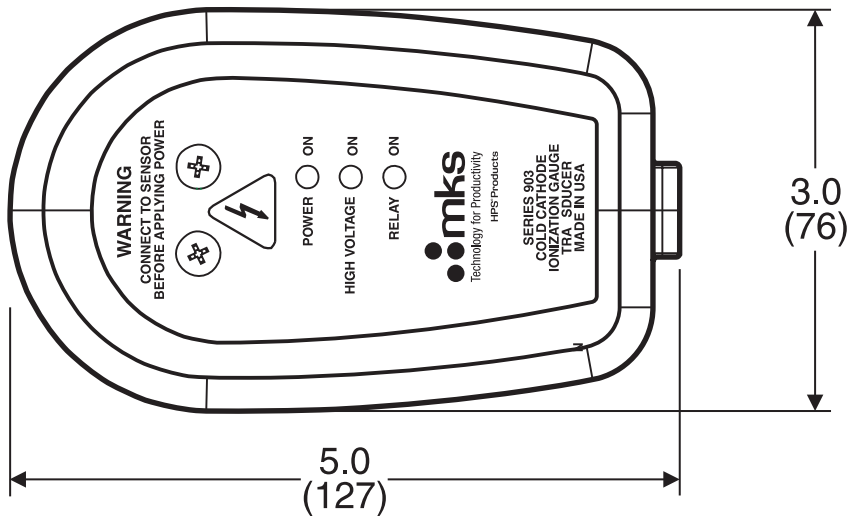


Dimensional Drawing -

Note: Unless otherwise specified, dimensions are nominal values in inches (millimeters referenced).



Flange

- NW 40 KF
- 2 3/4" CF
- 1" Tube
- NW 25 KF

A

- 4.18 (106)
- 4.24 (108)
- 4.03 (102)
- 4.18 (102)