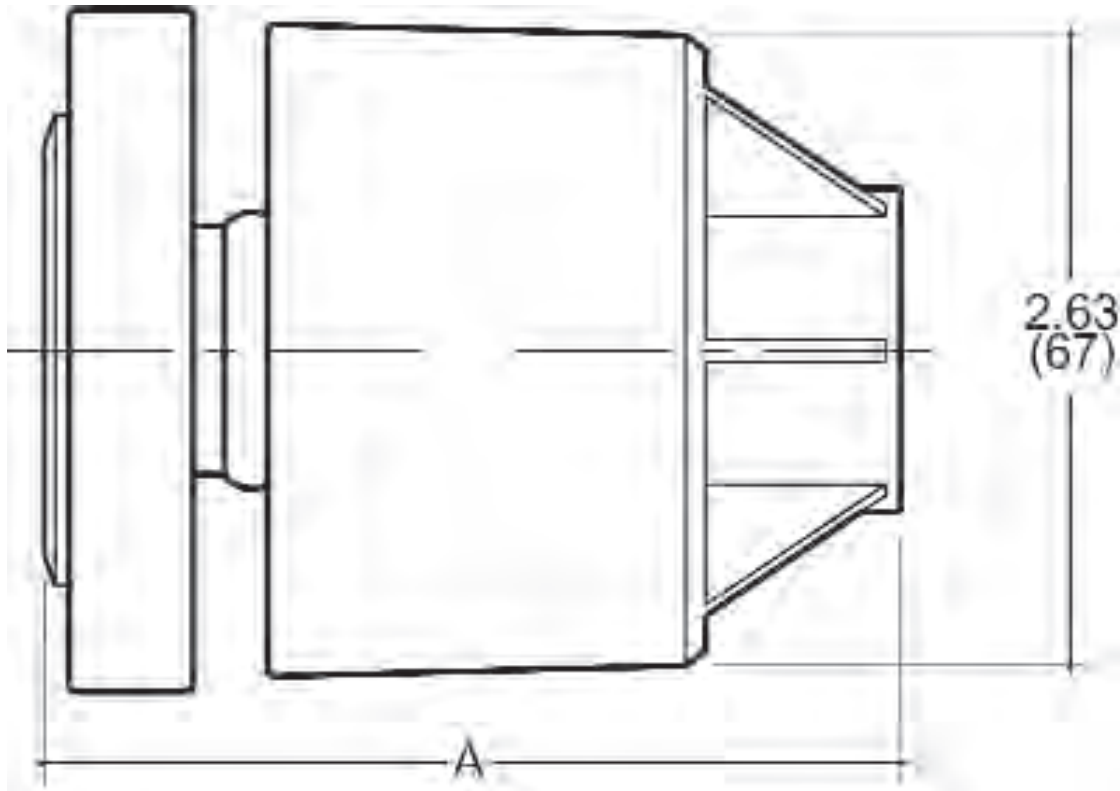


Dimensional Drawing -

Note: Unless otherwise specified, dimensions are nominal values in inches (millimeters referenced).



Type	A
NW 25 KF	3.41 (87)
NW 40 KF	3.41 (87)
2 ³ / ₄ " CF, rotatable	3.47 (88)
1" Tube	3.26 (83)