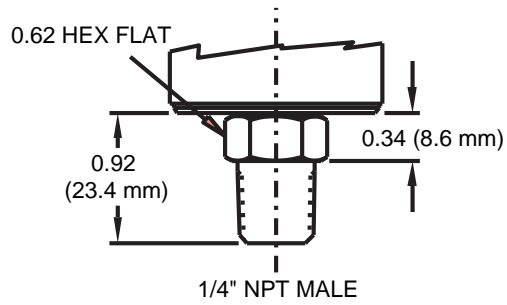
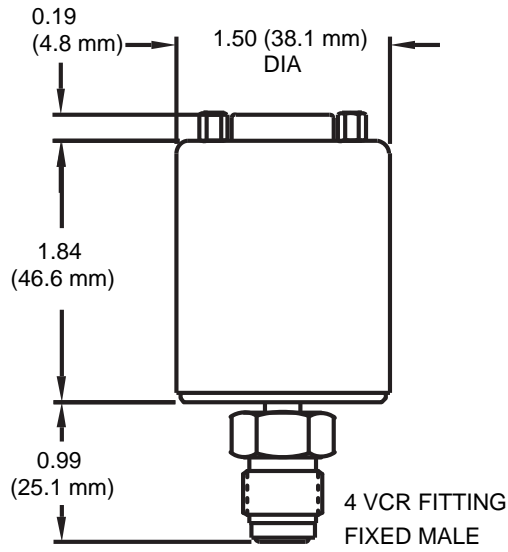
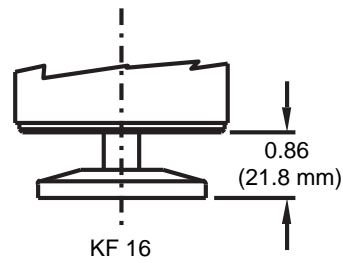
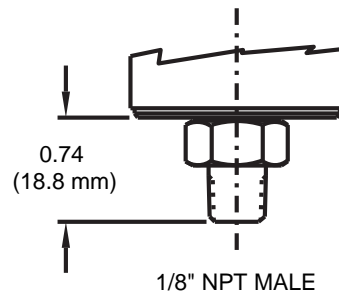
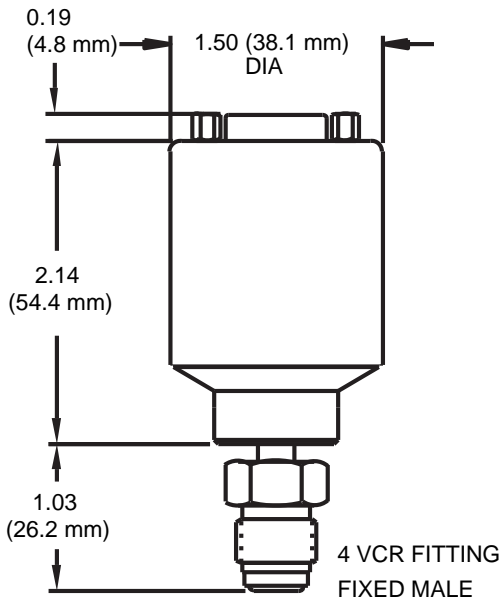
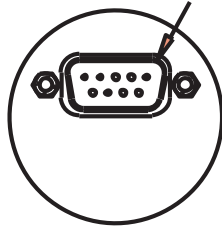


Dimensional Drawing —

Note: Unless otherwise specified, dimensions are nominal values in inches (mm referenced).



9-PIN TYPE "D" CONNECTOR



OPTIONAL CONNECTOR

