

# 4-20 mA Output Module

**FOR BARATRON® CAPACITANCE MANOMETER**

**PART NUMBER 1017474-001**

**PART NUMBER 1017474-003**

The Baratron® capacitance manometer is an ideal product for use in many demanding vacuum measurement applications that require high accuracy and repeatability, high resistance to corrosion, and insensitivity to gas type at elevated temperatures. The 4-20 mA Output Module now extends that capability into industrial and biopharmaceutical processes that require a linear 4-20 mA analog output signal of the vacuum level in the process chamber. Designed to emulate the 4-20 mA analog output of earlier Baratron products, the 4-20 mA Output Module has two output connectors. One of these offers both 0-10 VDC and 4-20 mA output signals for the user, and the second offers access to the Baratron's pressure setpoint relays (if so equipped). The 4-20 mA Output Module is mounted in a rugged, extruded aluminum enclosure that is very compact and easy to locate in a convenient location close to the Baratron manometer. Connector J1 has the same pin assignments as the same connector on earlier MKS electronics modules for the 621C Baratron capacitance manometers, allowing this module to be directly connected to customers' existing cables with no changes required. Last, if the Baratron manometer is equipped with a heater alarm relay or pressure trip relays, the 4-20 mA Output Module allows access to these trip relays via an easily-accessed 9-post terminal strip on top of the device.

## Features & Benefits

- Provides a linear 4-20 mA analog signal for the 631C Baratron manometer and other Baratron manometers with 0-10 VDC output
- Pin-compatible with earlier 621C Baratron manometer electronics
- Compact, rugged aluminum enclosure suitable for industrial installations
- Available with either 2 ft (0.6 m) or 20 ft (6 m) connection cable to Baratron manometer

# Specifications and Ordering Information

## Applicability

MKS single-range Baratron capacitance manometers with 15-pin D-subminiature electrical connector and 0-10 VDC analog output, and competitive products with the same pin assignments and output.

## Power Input

±15 VDC (±5%) @ 0.80 amps (maximum steady-state)

## Output Signals

0-10 VDC into 10 kΩ load, and 4-20 mA. Both outputs linear with pressure.

## Electrical Connectors

System connector: 15-pin male D-subminiature. Trip relays: 9-post terminal strip. Baratron: 15-pin female D-subminiature receptacle.

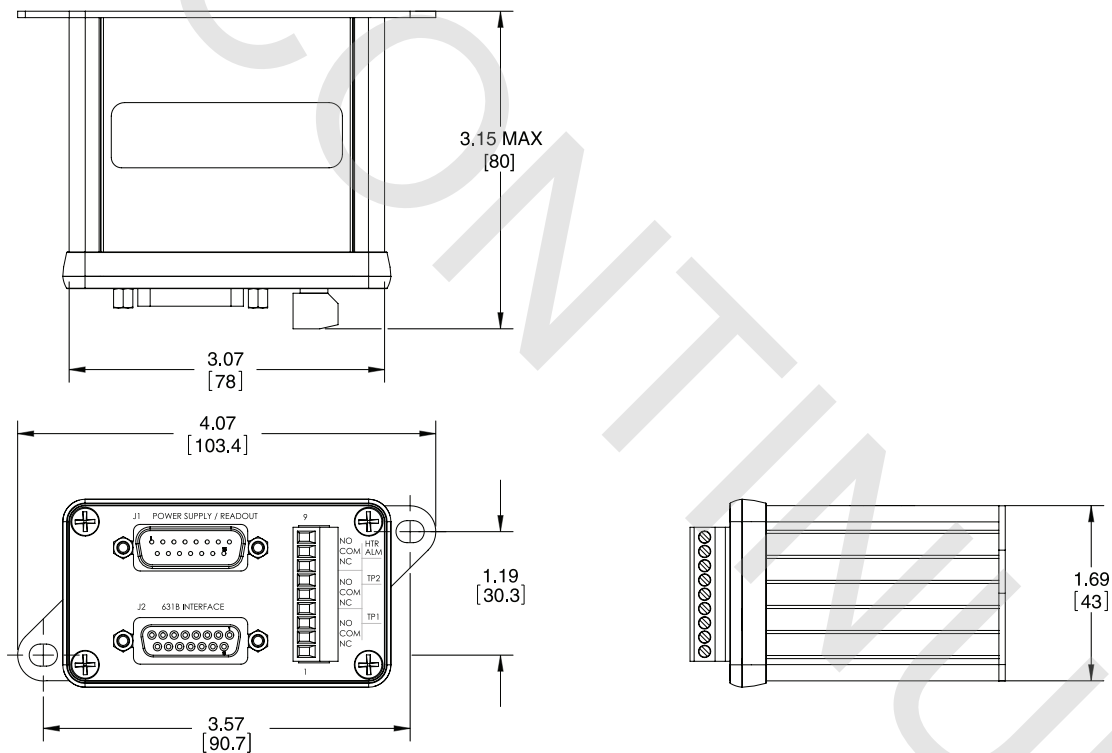
## External Dimensions

4.07 inches wide x 1.69 inches deep x 3.15 inches tall (103.4 x 42.9 x 80.0 mm)

## Ordering Information:

**Part Number 1017474-001 with 2 ft (0.6 m) manometer cable**

**Part Number 1017474-003 with 20 ft (6 m) manometer cable**



## Dimensional Drawing —

Note: Unless otherwise specified, dimensions are nominal values in inches (mm referenced).



## MKS Instruments, Inc. Global Headquarters

2 Tech Drive, Suite 201  
Andover, MA 01810  
Tel: 978.645.5500  
Tel: 800.227.8766 (in U.S.A.)  
Web: [www.mksinst.com](http://www.mksinst.com)

## MKS Instruments, Inc. Pressure & Vacuum Measurement Solutions

Six Shattuck Road  
Andover, MA 01810  
Tel: 978.975.2350