

# PSR1A

Single Channel Power Supply, Readout and Set Point Controller



The PSR1A is a single channel, digital power supply, display and controller. This single channel version can control one mass flow controller (MFC) or mass flow meter (MFM). The PSR1A can operate either  $\pm 15$  VDC MFC/MFMs or single-sided 15 VDC.

The large 8 x 20 display, with intensity control, provides the user with a clear view of MFC/MFM status. The readout is provided with hardware for panel mounting or as a table top display (as shown in picture).

The PSR1A has RS-232 serial port communication for remote control, data logging and remote alarms. Gauge factor scaling allows the user to adapt to different gases for the MFC/MFM.

## Product Features

- Large graphic high contrast backlit, 8 x 20 display for use with analog MKS mass flow controllers
- Two fully adjustable relay outputs for limit monitoring
- Rack mount installation or table top stand
- Support  $\pm 15$  VDC legacy MFCs/MFMs and 15 VDC single-sided MFCs/MFMs



## Key Benefits

- Built-in RS-232 serial communication port
- User-selectable engineering units for both MFCs and MFMs
- Menu-driven with simple set-up and operation

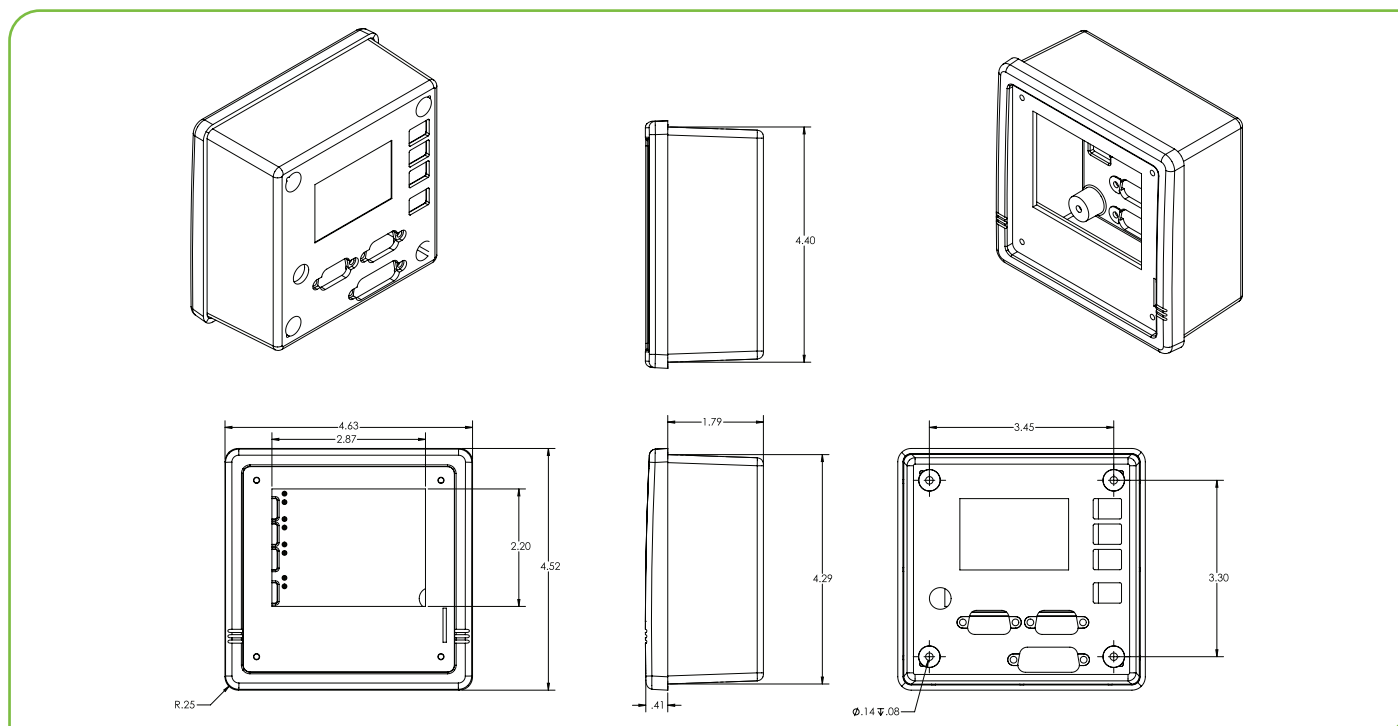
## Specifications

<b>Display Type</b>	Graphic backlit LCD
<b>Number of Channels Provided/Displayed</b>	1 for PSR1A
<b>Alarm Limit Relays</b>	1 relay/channel with 2 alarms
<b>Outputs Line</b>	1 analog output per channel with 16-bit resolution
<b>Memory</b>	Non-volatile memory, (for example, the last setting remains stored)
<b>Power Input</b> ±15 VDC Units	85-264 VAC, 47-63 Hz
<b>Ambient Operating Temperature</b>	0°C to 40°C
<b>Weight</b>	0.76 lbs single channel
<b>Compliance</b>	CE, UKCA

Ordering Code Example: PSR1A-US		Code	Configuration
<b>Model</b>	Single Channel	PSR1A	PSR1A-
<b>Source Power Connector</b>	United States United Kingdom Europe Asia	US UK EU JP	US

**Notes:**

- 1) Cables are not offered or provided by MKS. The power supply readout is provided with a gender changing connector, compatible with MKS 15 Pin "D" Analog MFCs, that permits use of a commercially available DB15 cable structure: 15\*26AWG (11\*0.12TC) OD: 1.05mm+AL+Drain+Jacket and plus tinned copper braid shield, OD: 7.5mm
- 2) MKS recommends operating the PSR1A with single-sided powered MFCs with untied grounds and dual-sided powered MFCs with tied grounds.



Dimensional Drawing — Unless otherwise specified, dimensions are nominal values in inches.