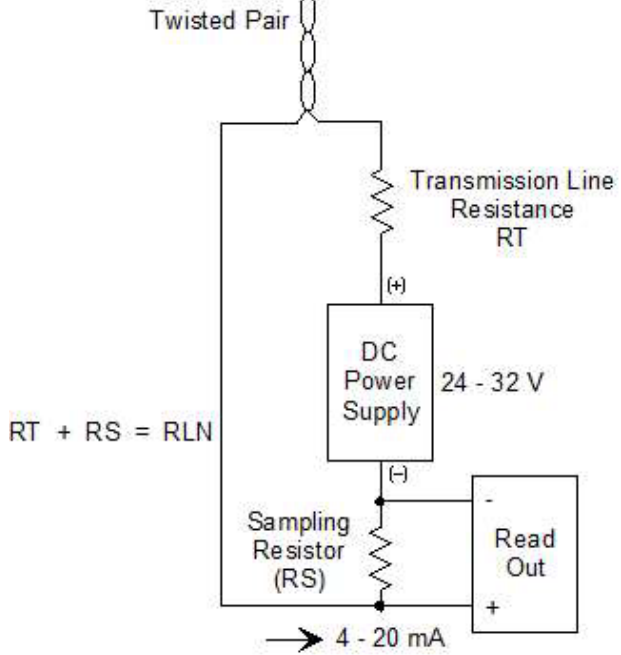


Power Return Pin 2 + 24-32VDC Pin 1



$$R_{LN} = \frac{(\text{Power Supply Volts} - 13) \times 10^3 \text{ (ohms)}}{25\text{mA}}$$

Or

$$R_{LN} = \frac{(V_{PS} - 13^V)}{0.025A}$$