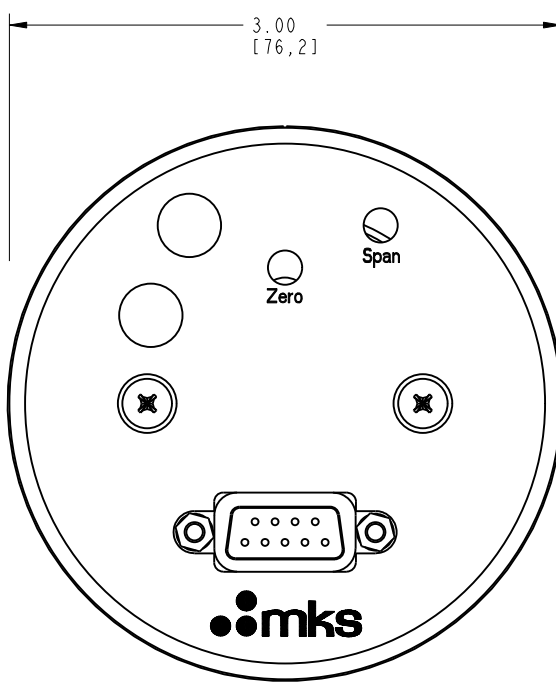
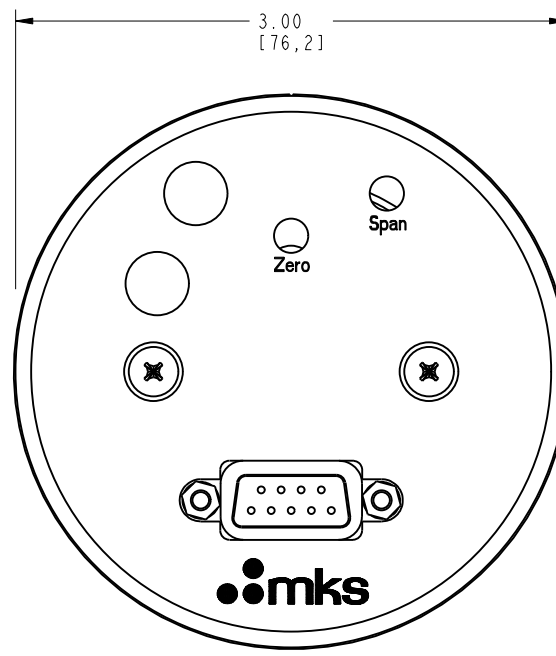
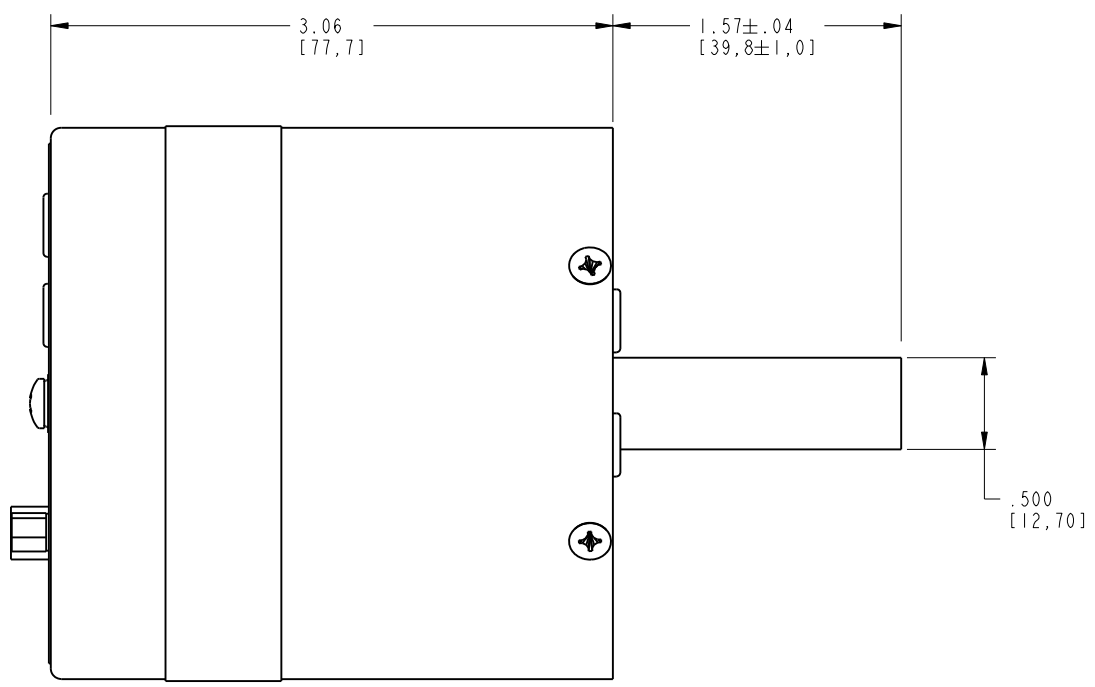


8 7 6 5 4 3 2 1

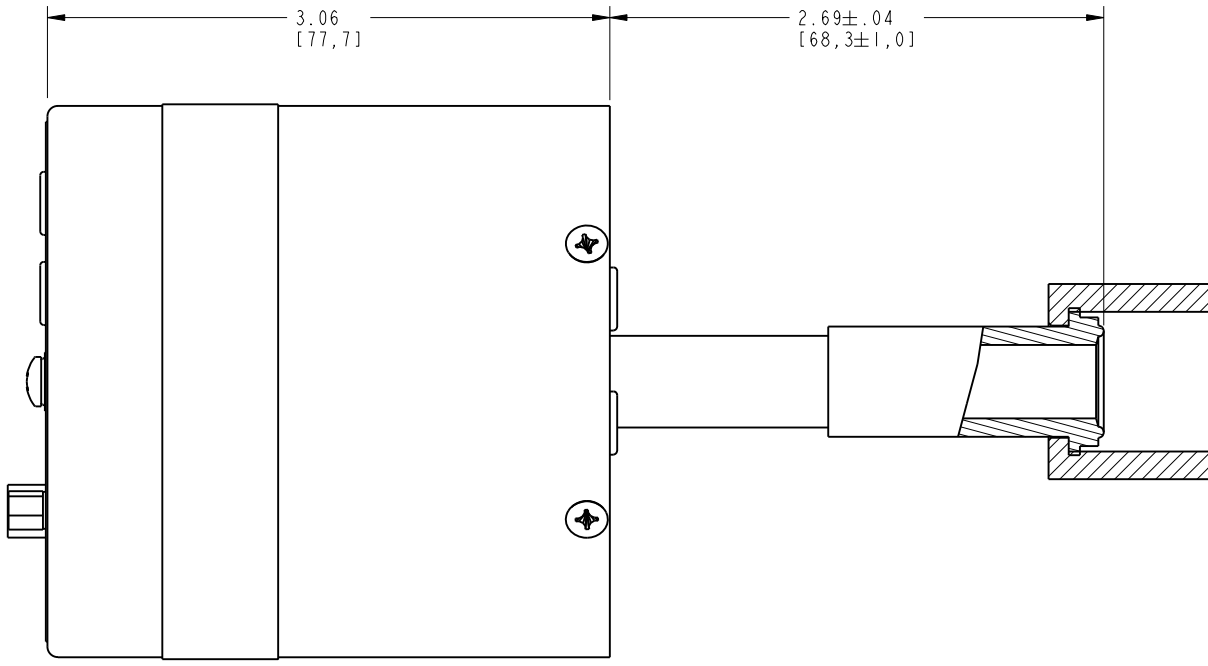
| REVISIONS | | | | |
|-----------|-------------|----------|-------|----------|
| LTR | DESCRIPTION | BY/CHK'D | APP'D | DATE |
| 1 | FIRST DRAWN | JP | | 05/07/15 |



AA04A FITTING CODE -BA-
SCALE 2/1



AA04A FITTING CODE -CE-
SCALE 2/1



PROPRIETARY AND CONFIDENTIAL

THIS DOCUMENT IS THE PROPERTY OF MKS INSTRUMENTS, INC., AND IS FURNISHED ON THE CONDITION THAT IT IS NOT TO BE REPRODUCED OR COPIED, AND IS NOT TO BE USED DIRECTLY OR INDIRECTLY IN THE MAKING OF DRAWINGS, PRINTS, APPARATUS, OR PARTS THEREOF, WITHOUT WRITTEN AUTHORIZATION.

THE ACCEPTANCE OF THIS DOCUMENT WILL BE CONSTRUED AS ACCEPTANCE OF THE FOREGOING CONDITIONS, AND AS AN ADMISSION OF THE EXCLUSIVE OWNERSHIP BY MKS INSTRUMENTS, INC. OF THIS DOCUMENT.

| QTY | ITEM | PART NO. | DESCRIPTION | REMARKS |
|--|--------|--|---------------------|-----------------|
| LIST OF MATERIALS | | | | |
| UNLESS OTHERWISE SPECIFIED DIMENSIONS ARE IN INCHES. TOLERANCES: | | DRAWN J. POULINJ | DATE 06-May-15 | |
| X.X | ±0.1 | CHECKED | | |
| X.XX | ±0.02 | ELEC | | |
| X.XXX | ±0.010 | MECH | | |
| X.X ^o | ±0.5 | PROJ | | |
| SURFACE QUALITY MAX | | | | |
| | | TITLE AA04A, TRANSMITTER 4-20mA, ANALOG ABSOLUTE | | |
| | | DIST. - | SIZE D | DWG NO. 1061011 |
| | | THIRD ANGLE PROJECTION | FIRST USED IN AA04A | SCALE 1/1 |
| | | | DESIGNED FOR | SHT 1 OF 6 |

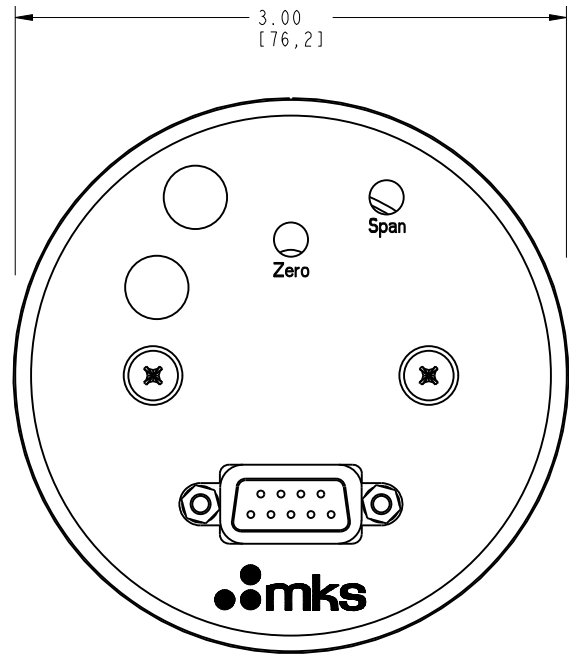
THIS DRAWING IS GENERATED FROM A PRO/E SOLID MODEL

MODEL DATA
 MODEL REV: :
 DRAWING REV: :
 BRANCH: :
 RELEASE LEVEL: :

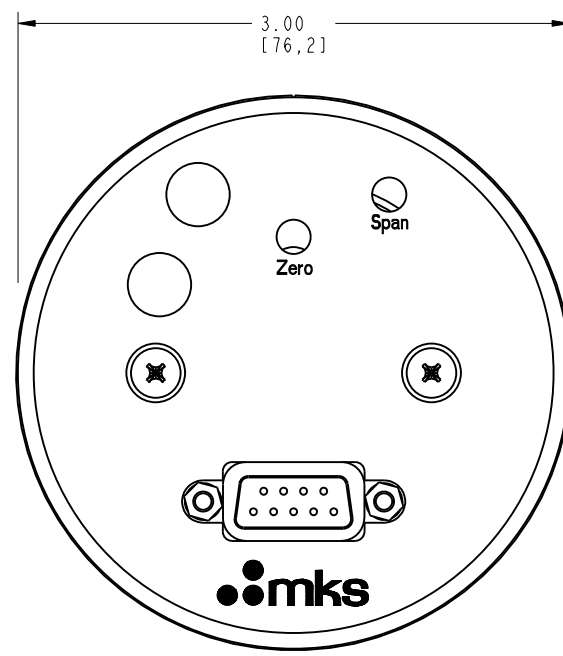
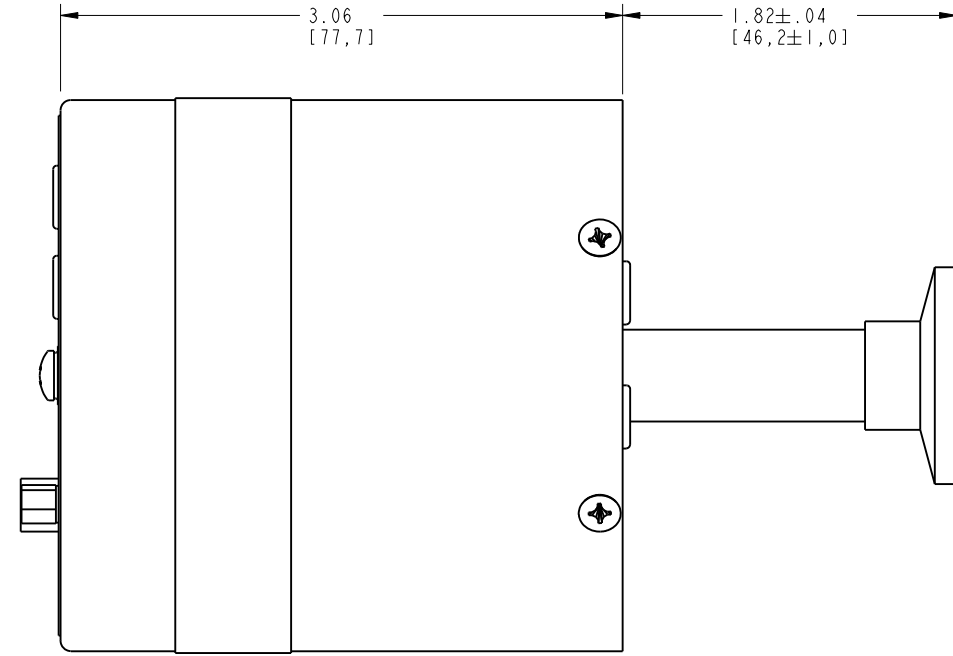
8 7 6 5 4 3 2 1

8 7 6 5 4 3 2 1

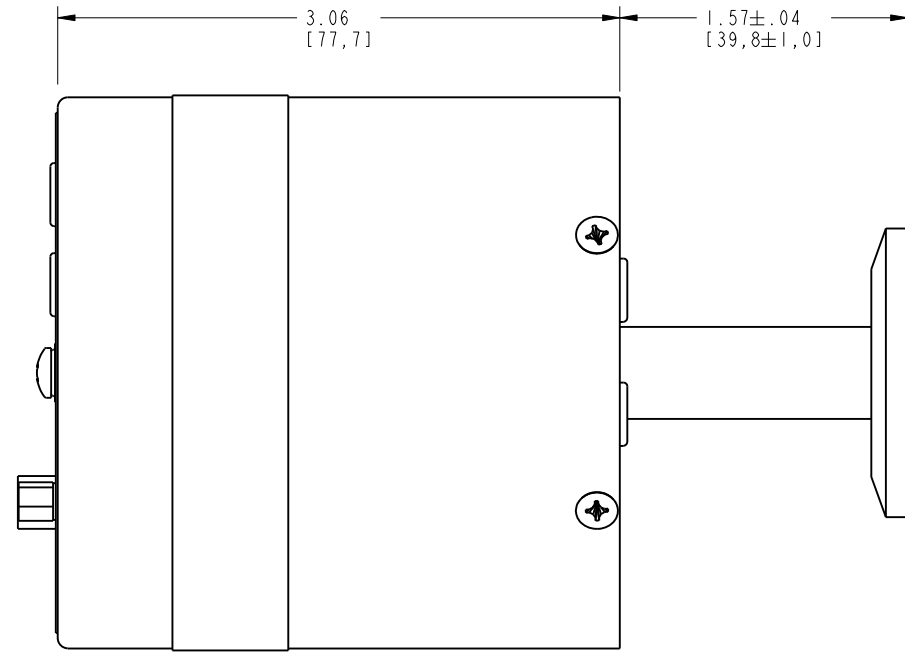
| REVISIONS | | | | |
|-----------|--------------|----------|-------|------|
| LTR | DESCRIPTIONS | BY/CHK'D | APP'D | DATE |
| | SEE SHEET 1 | | | |



AA04A FITTING CODE -GA-
SCALE 2/1



AA04A FITTING CODE -GC-
SCALE 2/1



PROPRIETARY AND CONFIDENTIAL

THIS DOCUMENT IS THE PROPERTY OF MKS INSTRUMENTS, INC., AND IS FURNISHED ON THE CONDITION THAT IT IS NOT TO BE REPRODUCED OR COPIED, AND IS NOT TO BE USED DIRECTLY OR INDIRECTLY IN THE MAKING OF DRAWINGS, PRINTS, APPARATUS, OR PARTS THEREOF, WITHOUT WRITTEN AUTHORIZATION.

THE ACCEPTANCE OF THIS DOCUMENT WILL BE CONSTRUED AS ACCEPTANCE OF THE FOREGOING CONDITIONS, AND AS AN ADMISSION OF THE EXCLUSIVE OWNERSHIP BY MKS INSTRUMENTS, INC. OF THIS DOCUMENT.

| | | | |
|--|------|-------------------|-----|
| | | ANDOVER, MA. USA. | |
| TITLE OUTLINE DRAWING, AA04A, TRANSMITTER 4-20mA, ANALOG ABSOLUTE | | | |
| DIST. | SIZE | DWG NO. | REV |
| SHT 1 | D | 1061011 | 1 |
| SCALE 1/1 | | SHT 2 OF 6 | |

8 7 6 5 4 3 2 1

8

7

6

5

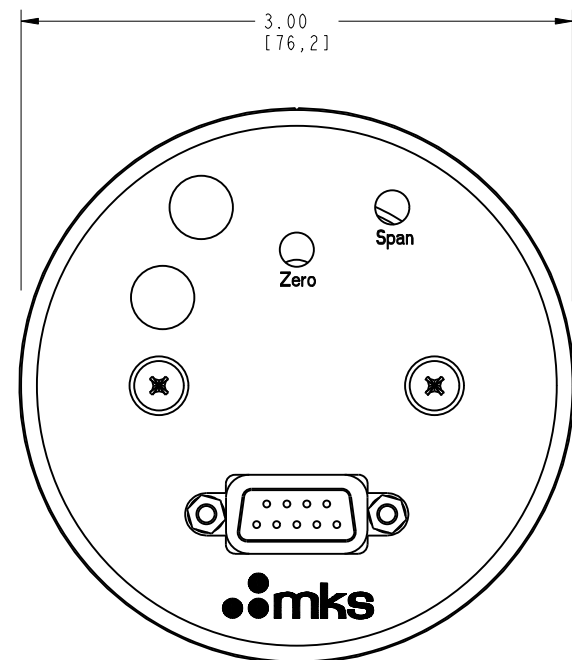
4

3

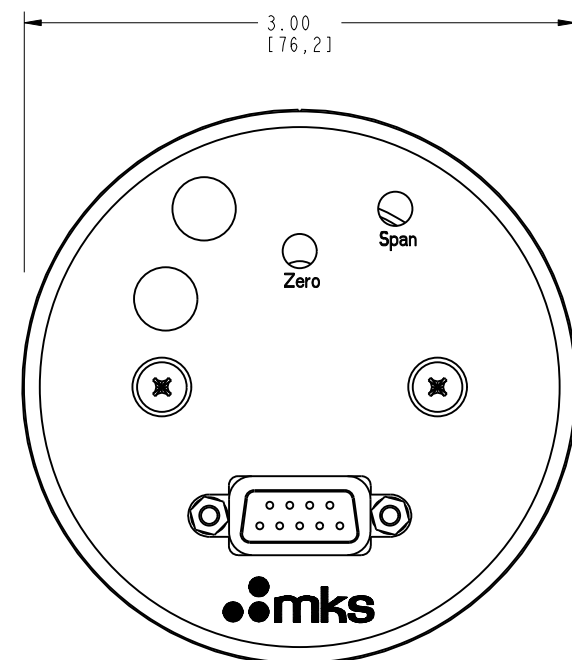
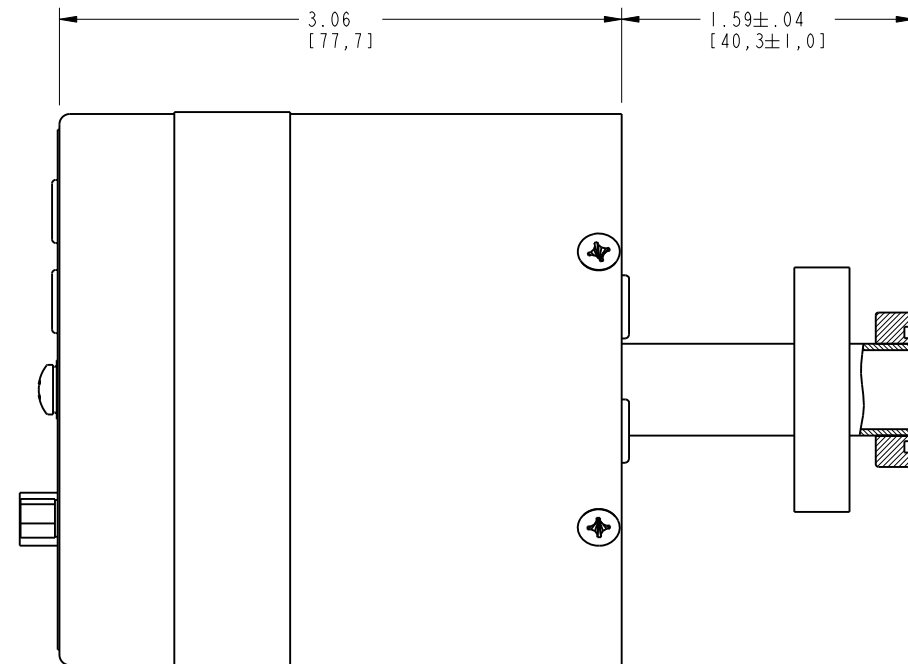
2

1

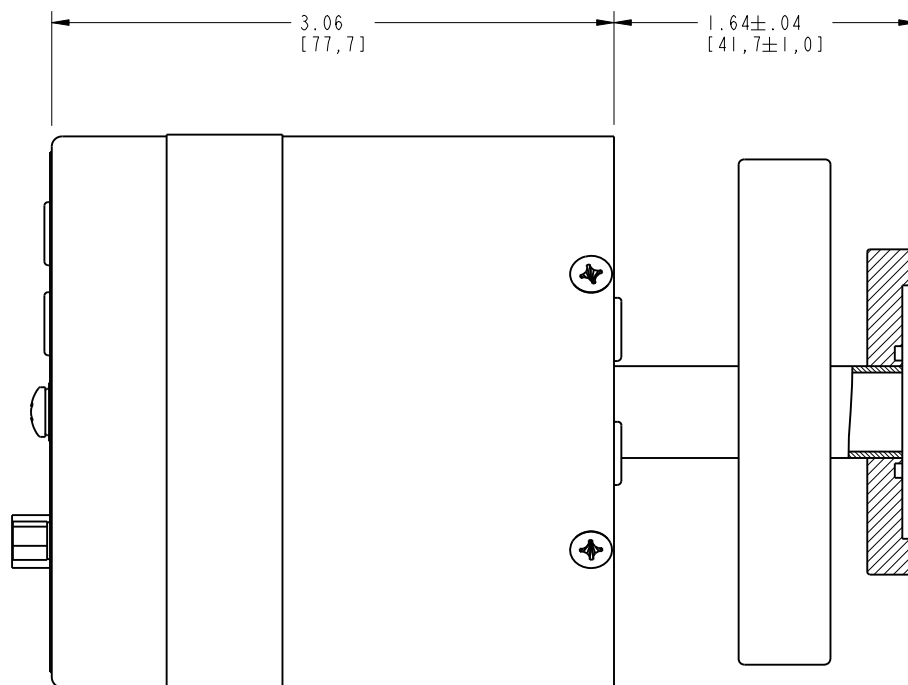
| REVISIONS | | | | |
|-------------|--------------|----------|-------|------|
| LTR | DESCRIPTIONS | BY/CHK'D | APP'D | DATE |
| SEE SHEET 1 | | | | |



AA04A FITTING CODE -HA-
SCALE 2/1



FITTING CODE -HC-
SCALE 2/1



PROPRIETARY AND CONFIDENTIAL

THIS DOCUMENT IS THE PROPERTY OF MKS INSTRUMENTS, INC., AND IS FURNISHED ON THE CONDITION THAT IT IS NOT TO BE REPRODUCED OR COPIED, AND IS NOT TO BE USED DIRECTLY OR INDIRECTLY IN THE MAKING OF DRAWINGS, PRINTS, APPARATUS, OR PARTS THEREOF, WITHOUT WRITTEN AUTHORIZATION.

THE ACCEPTANCE OF THIS DOCUMENT WILL BE CONSTRUED AS ACCEPTANCE OF THE FOREGOING CONDITIONS, AND AS AN ADMISSION OF THE EXCLUSIVE OWNERSHIP BY MKS INSTRUMENTS, INC. OF THIS DOCUMENT.

| | | | |
|--|------|-------------------|-----|
| | | ANDOVER, MA. USA. | |
| TITLE OUTLINE DRAWING, AA04A, TRANSMITTER 4-20mA, ANALOG ABSOLUTE | | | |
| DIST. | SIZE | DWG NO. | REV |
| SHT 1 | D | 1061011 | 1 |
| SCALE 1/1 | | SHT 3 OF 6 | |

8

7

6

5

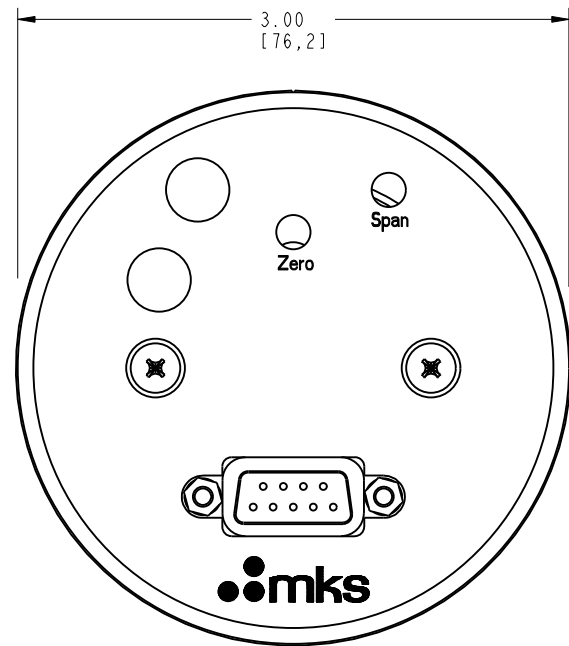
4

3

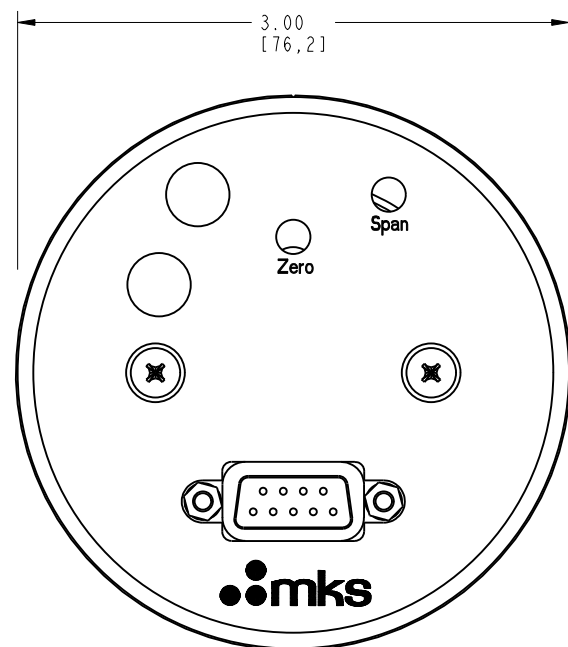
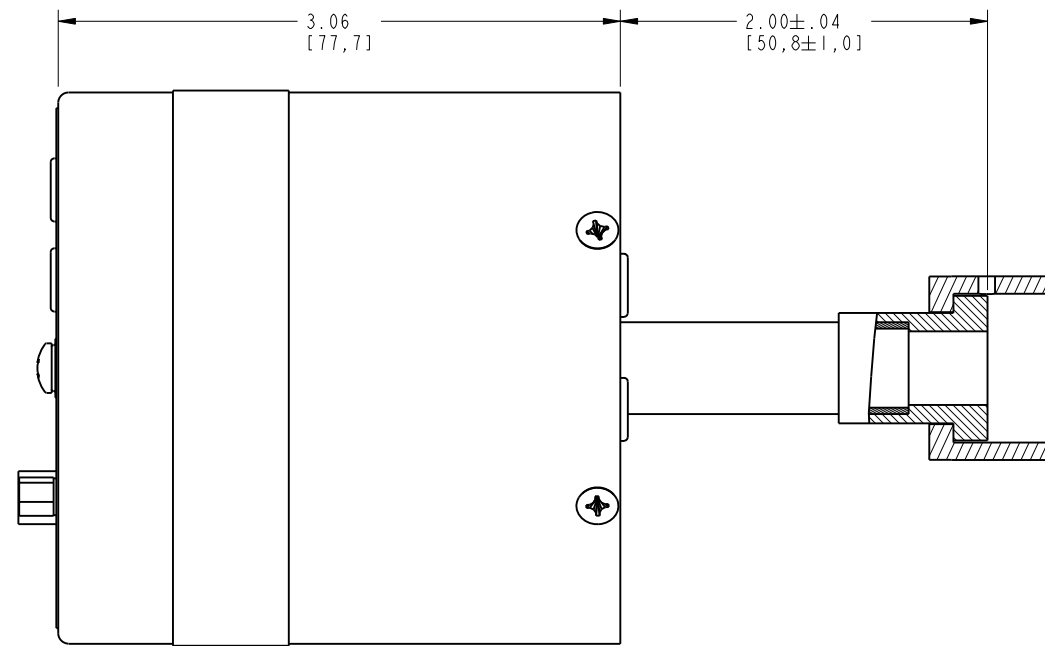
2

1

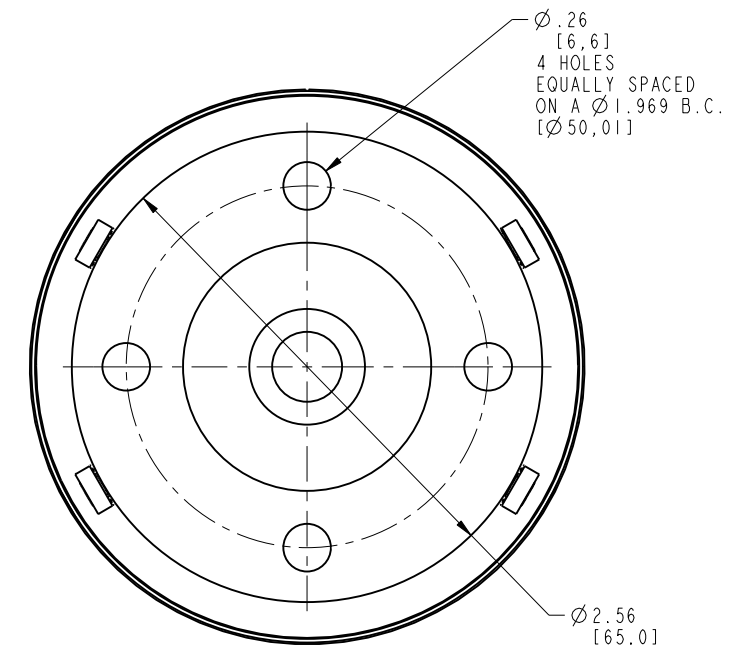
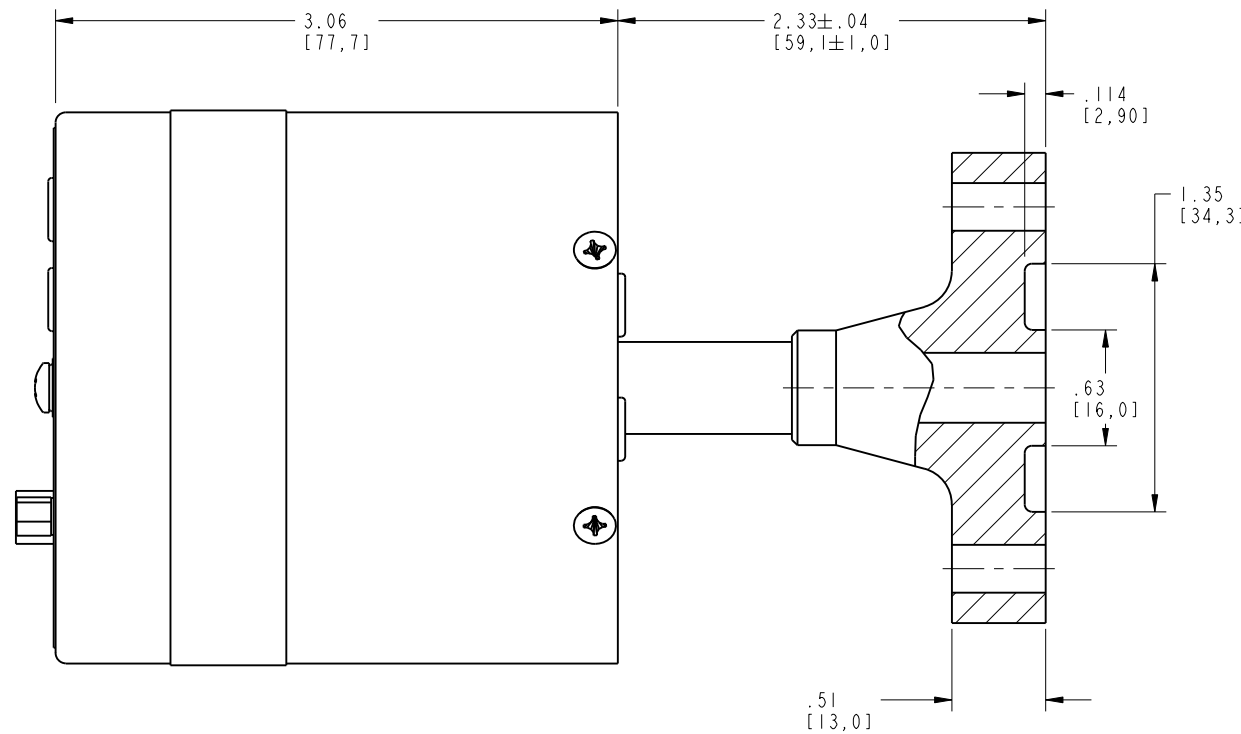
| REVISIONS | | | | |
|-------------|--------------|----------|-------|------|
| LTR | DESCRIPTIONS | BY/CHK'D | APP'D | DATE |
| SEE SHEET 1 | | | | |



AA04A FITTING CODE -DA-
SCALE 2/1



AA04A FITTING CODE -NA-
SCALE 2/1

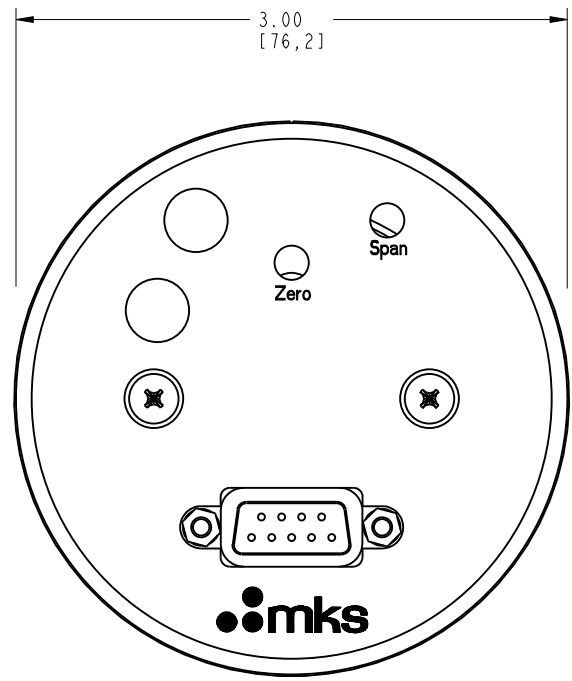


THIS DRAWING IS GENERATED FROM A PRO/E SOLID MODEL

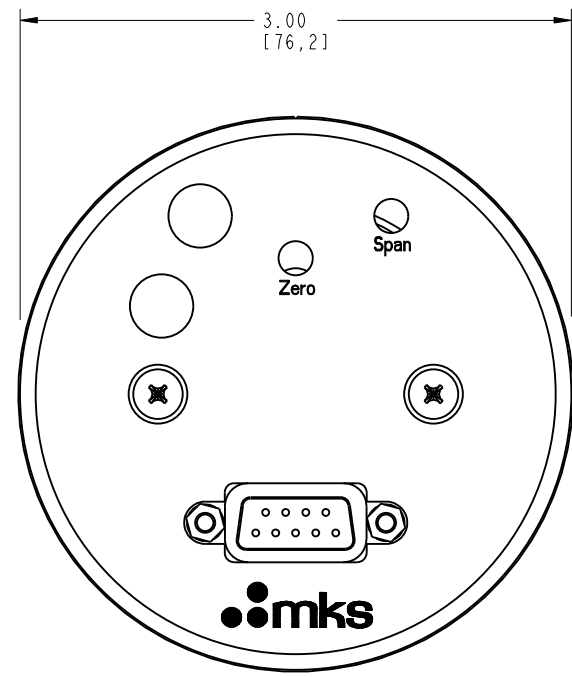
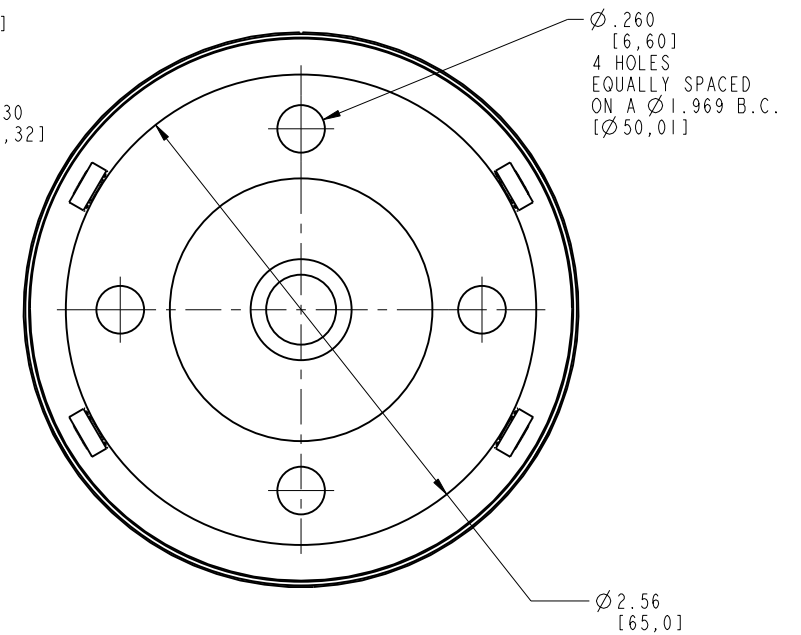
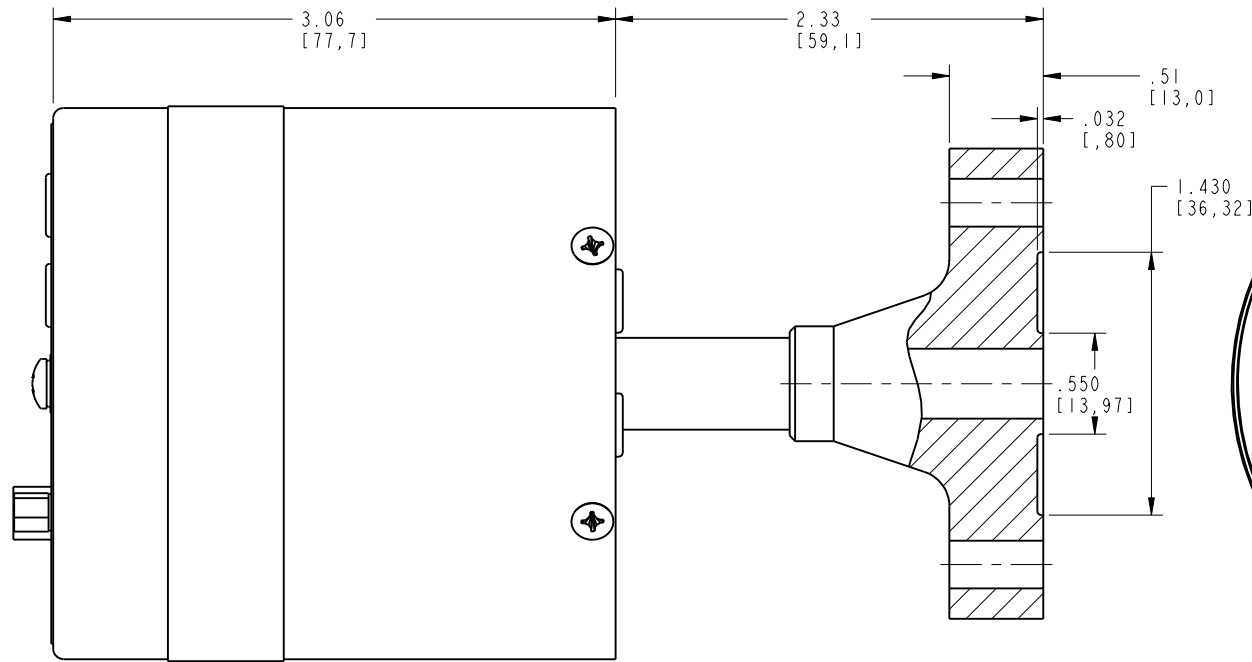
PROPRIETARY AND CONFIDENTIAL
THIS DOCUMENT IS THE PROPERTY OF MKS INSTRUMENTS, INC., AND IS FURNISHED ON THE CONDITION THAT IT IS NOT TO BE REPRODUCED OR COPIED, AND IS NOT TO BE USED DIRECTLY OR INDIRECTLY IN THE MAKING OF DRAWINGS, PRINTS, APPARATUS, OR PARTS THEREOF, WITHOUT WRITTEN AUTHORIZATION.
THE ACCEPTANCE OF THIS DOCUMENT WILL BE CONSTRUED AS ACCEPTANCE OF THE FOREGOING CONDITIONS, AND AS AN ADMISSION OF THE EXCLUSIVE OWNERSHIP BY MKS INSTRUMENTS, INC. OF THIS DOCUMENT.

| | | | |
|--|------|-------------------|-----|
| | | ANDOVER, MA. USA. | |
| TITLE OUTLINE DRAWING, AA04A, TRANSMITTER 4-20mA, ANALOG ABSOLUTE | | | |
| DIST. | SIZE | DWG NO. | REV |
| SHT 1 | D | 1061011 | 1 |
| SCALE 1/1 | | SHT 4 OF 6 | |

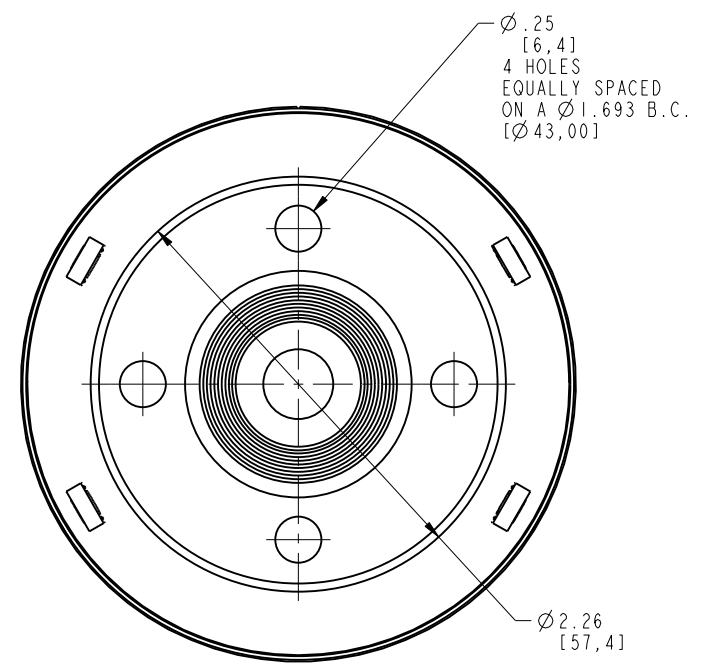
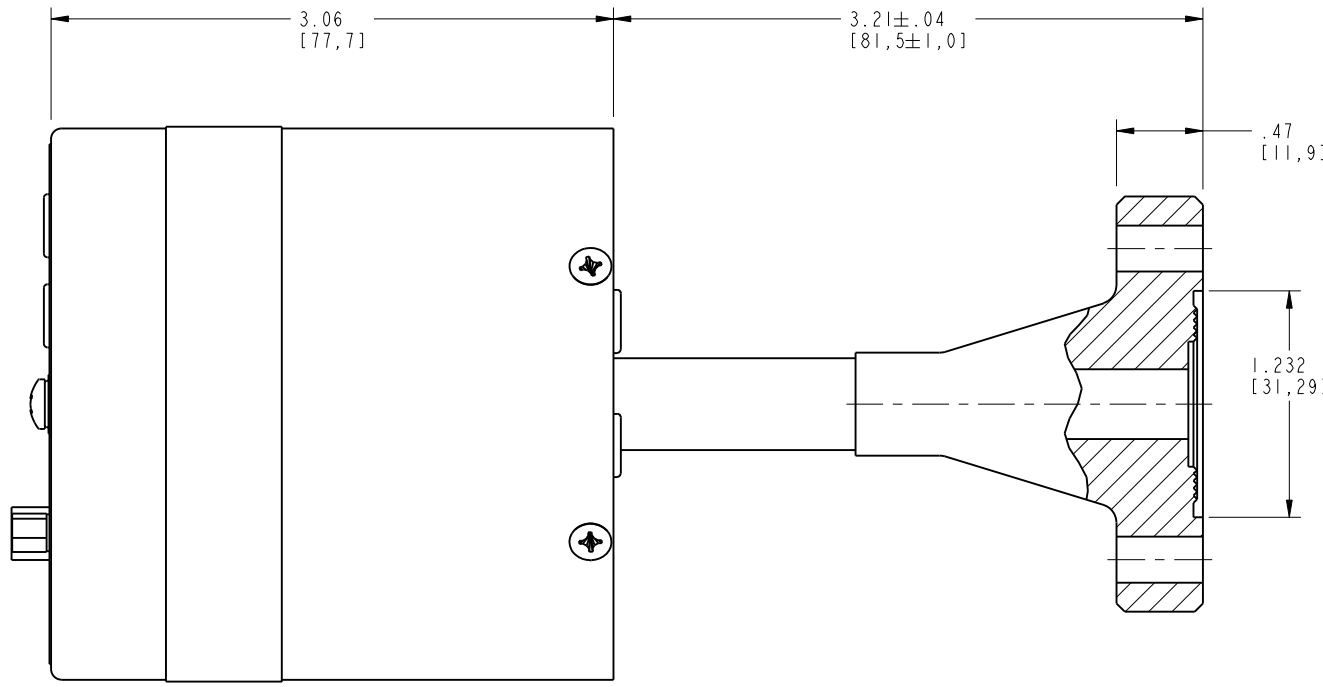
| REVISIONS | | | | |
|-------------|--------------|----------|-------|------|
| LTR | DESCRIPTIONS | BY/CHK'D | APP'D | DATE |
| SEE SHEET 1 | | | | |



AA04A FITTING CODE -NB-
SCALE 2/1



AA04A FITTING CODE -NC-
SCALE 2/1



PROPRIETARY AND CONFIDENTIAL

THIS DOCUMENT IS THE PROPERTY OF MKS INSTRUMENTS, INC., AND IS FURNISHED ON THE CONDITION THAT IT IS NOT TO BE REPRODUCED OR COPIED, AND IS NOT TO BE USED DIRECTLY OR INDIRECTLY IN THE MAKING OF DRAWINGS, PRINTS, APPARATUS, OR PARTS THEREOF, WITHOUT WRITTEN AUTHORIZATION.

THE ACCEPTANCE OF THIS DOCUMENT WILL BE CONSTRUED AS ACCEPTANCE OF THE FOREGOING CONDITIONS, AND AS AN ADMISSION OF THE EXCLUSIVE OWNERSHIP BY MKS INSTRUMENTS, INC. OF THIS DOCUMENT.

mks
Technology for Productivity

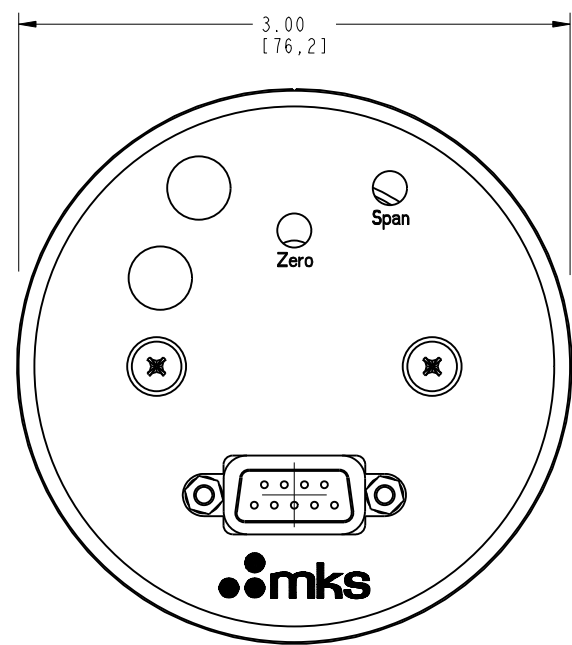
ANDOVER, MA. USA.

TITLE
OUTLINE DRAWING,
AA04A, TRANSMITTER
4-20mA, ANALOG ABSOLUTE

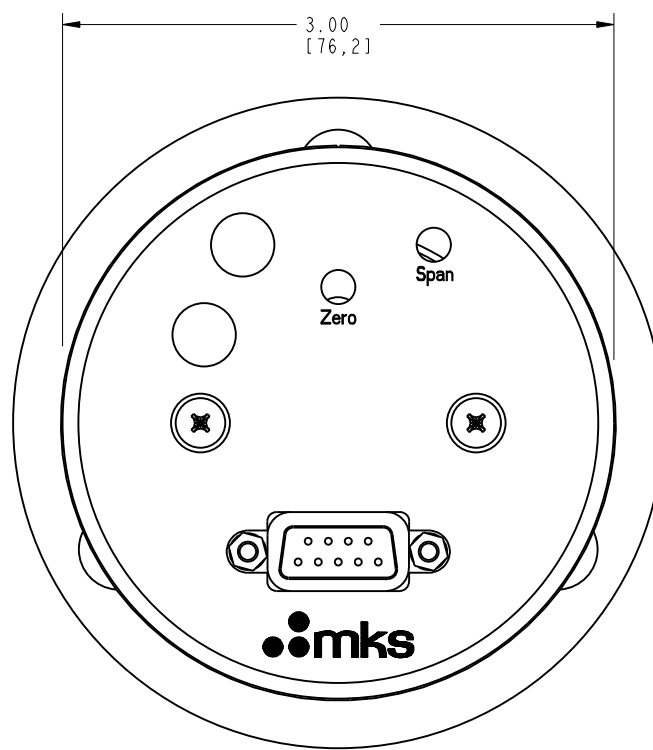
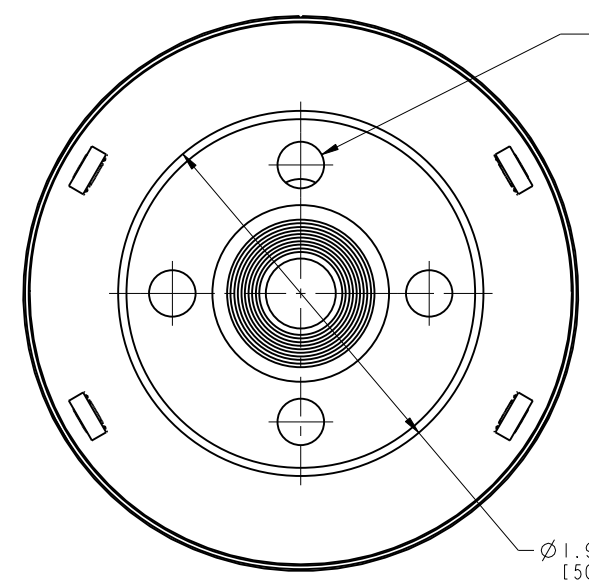
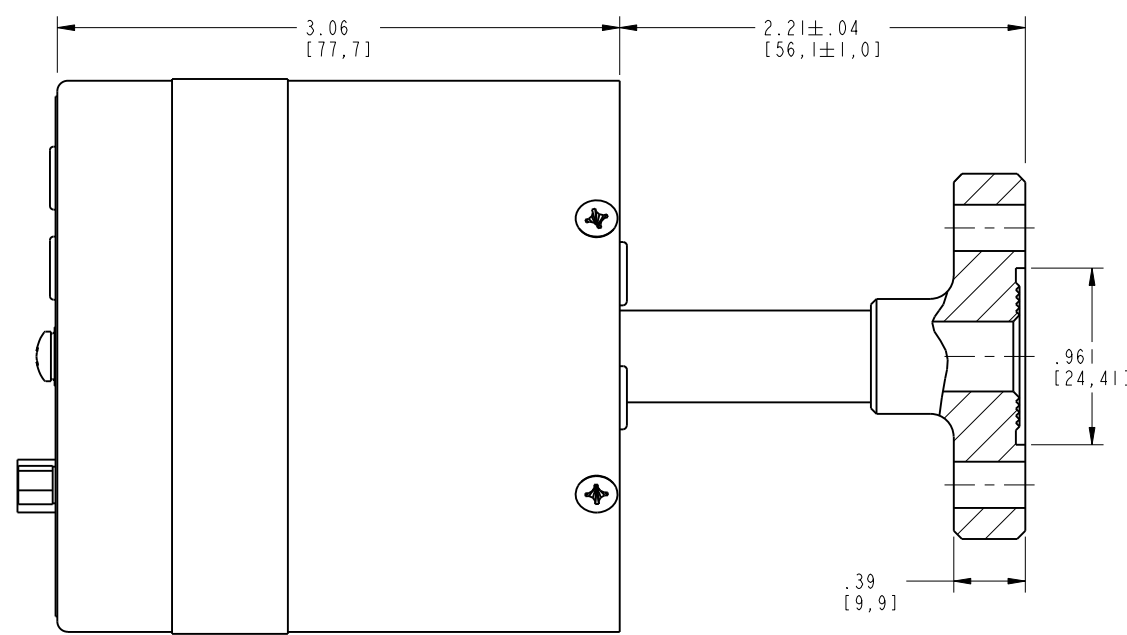
| | | | |
|----------------|-----------|--------------------|----------|
| DIST. SHT 1 | SIZE D | DWG NO. 1061011 | REV 1 |
|----------------|-----------|--------------------|----------|

SCALE 1/1 SHT 5 OF 6

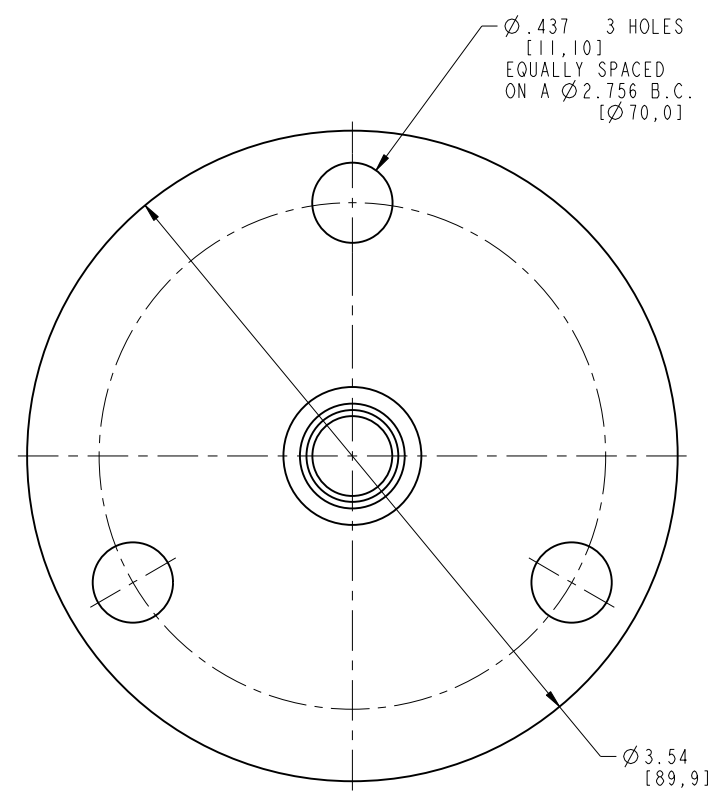
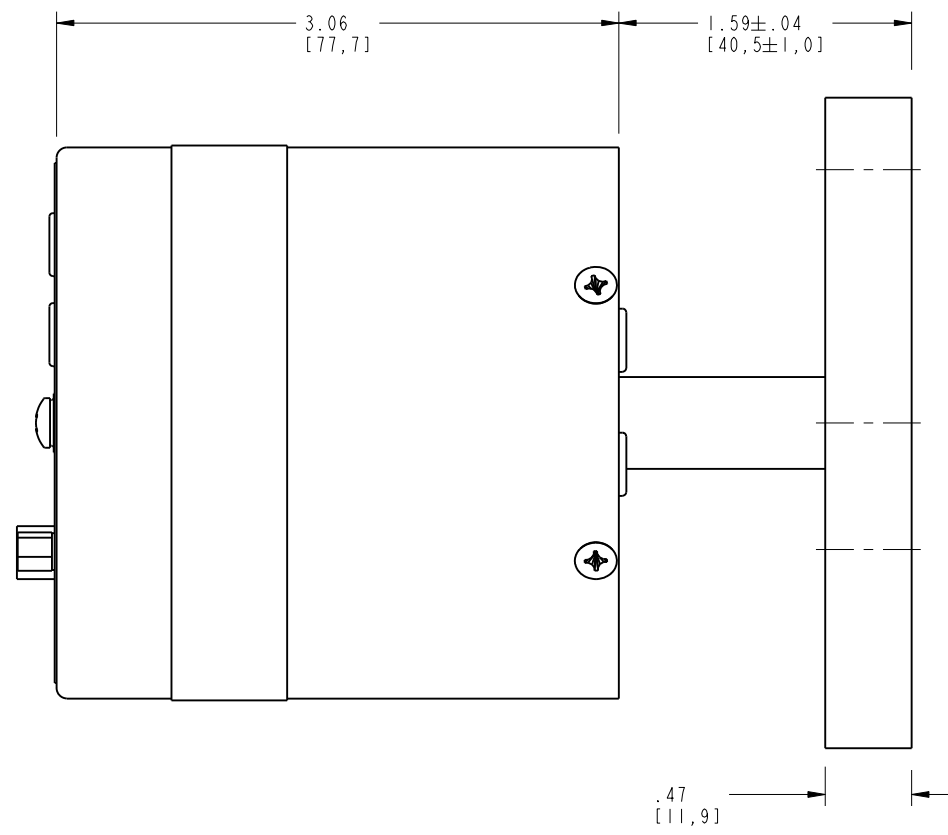
| REVISIONS | | | | |
|-------------|--------------|----------|-------|------|
| LTR | DESCRIPTIONS | BY/CHK'D | APP'D | DATE |
| SEE SHEET 1 | | | | |



FITTING CODE -NE-
SCALE 2/1




AA04A FITTING CODE -ND-
SCALE 2/1



PROPRIETARY AND CONFIDENTIAL

THIS DOCUMENT IS THE PROPERTY OF MKS INSTRUMENTS, INC., AND IS FURNISHED ON THE CONDITION THAT IT IS NOT TO BE REPRODUCED OR COPIED, AND IS NOT TO BE USED DIRECTLY OR INDIRECTLY IN THE MAKING OF DRAWINGS, PRINTS, APPARATUS, OR PARTS THEREOF, WITHOUT WRITTEN AUTHORIZATION.

THE ACCEPTANCE OF THIS DOCUMENT WILL BE CONSTRUED AS ACCEPTANCE OF THE FOREGOING CONDITIONS, AND AS AN ADMISSION OF THE EXCLUSIVE OWNERSHIP BY MKS INSTRUMENTS, INC. OF THIS DOCUMENT.

| | | | |
|---|------|-------------------|-----|
|  | | ANDOVER, MA. USA. | |
| TITLE OUTLINE DRAWING, AA04A, TRANSMITTER 4-20mA, ANALOG ABSOLUTE | | | |
| DIST. | SIZE | DWG NO. | REV |
| SHT 1 | D | 1061011 | 1 |
| SCALE 1/1 | | SHT 6 OF 6 | |