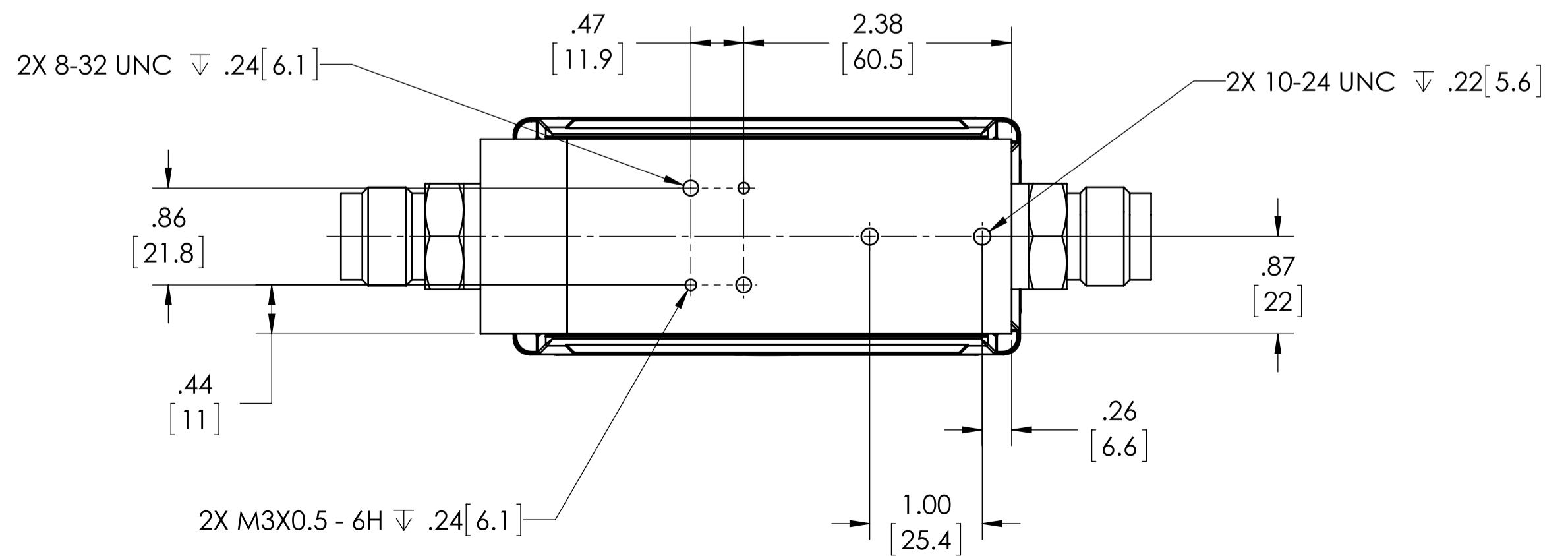
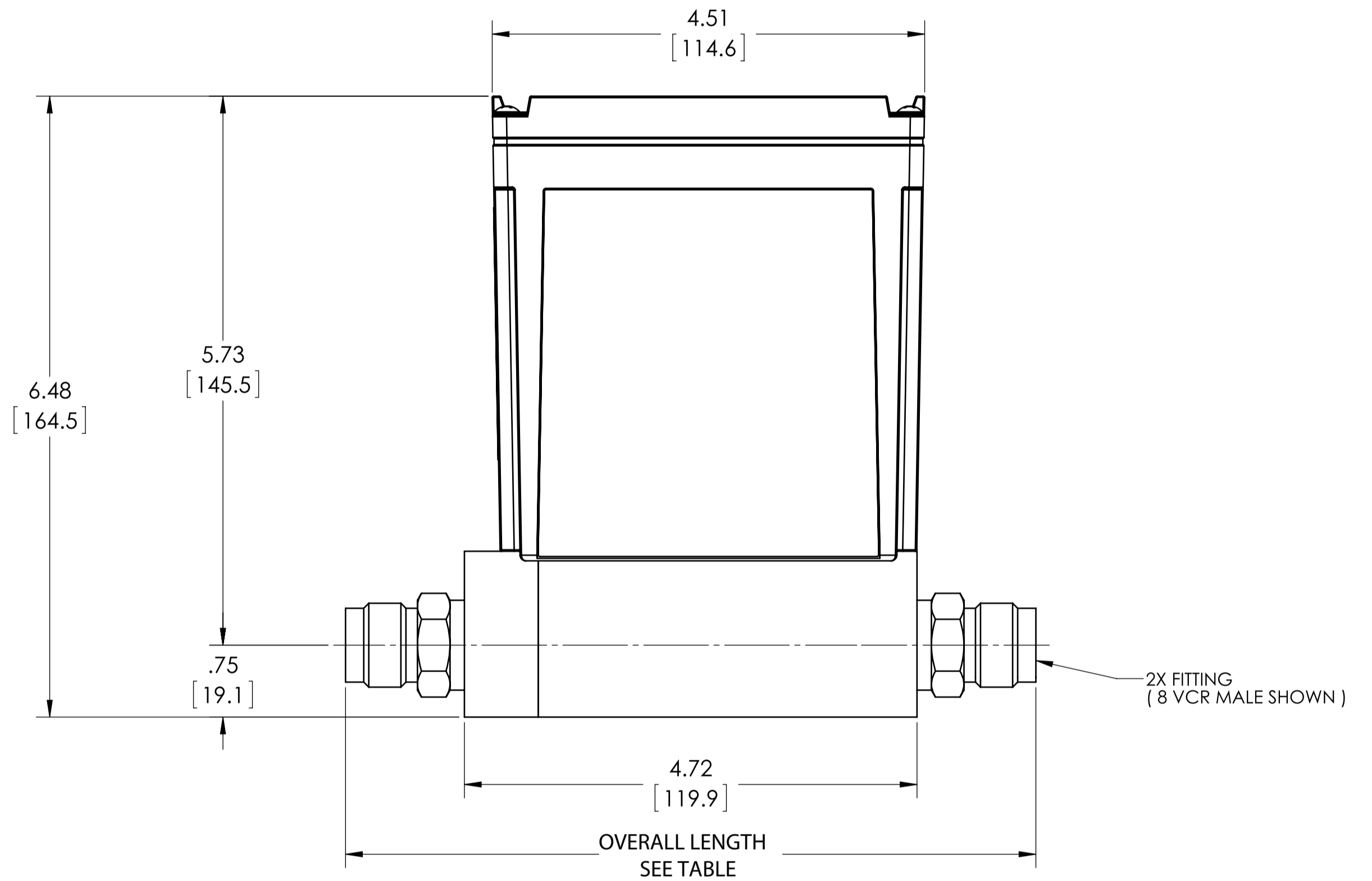
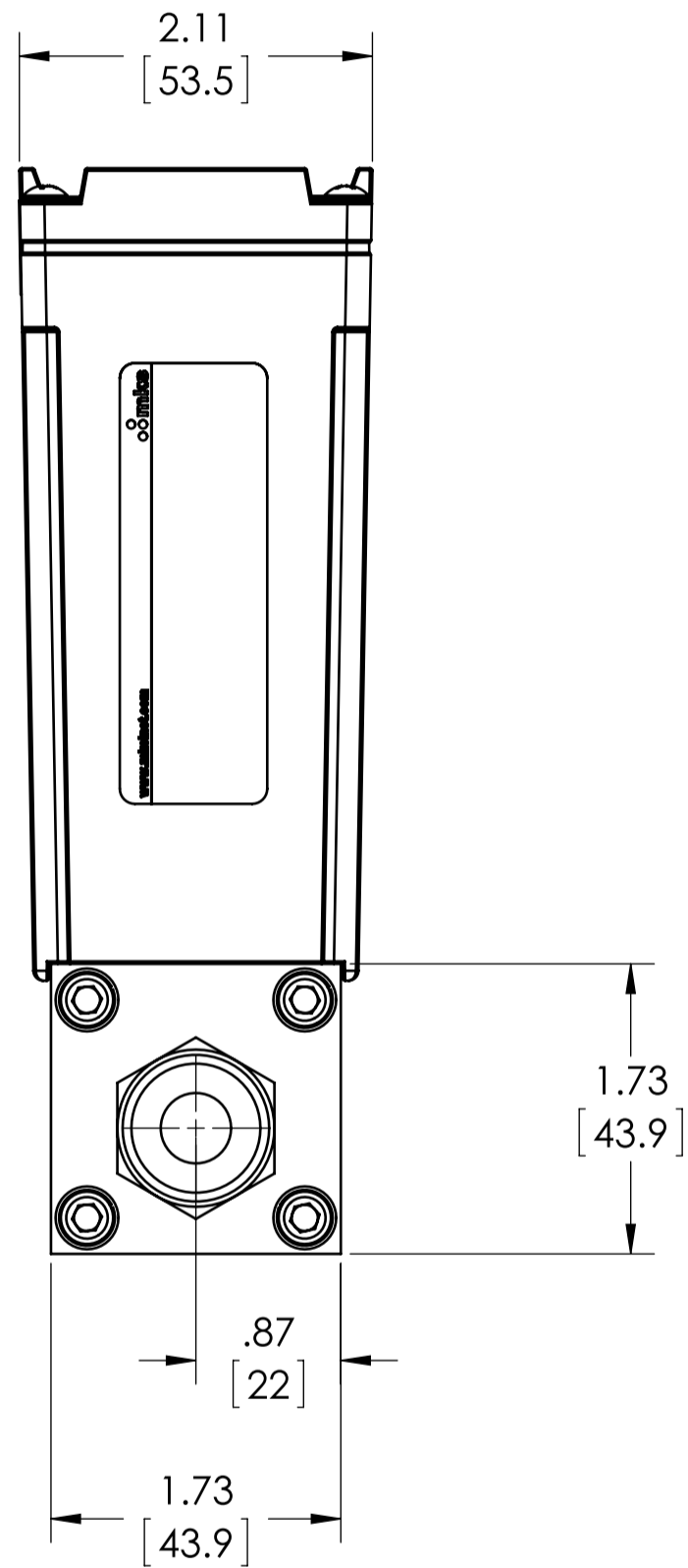
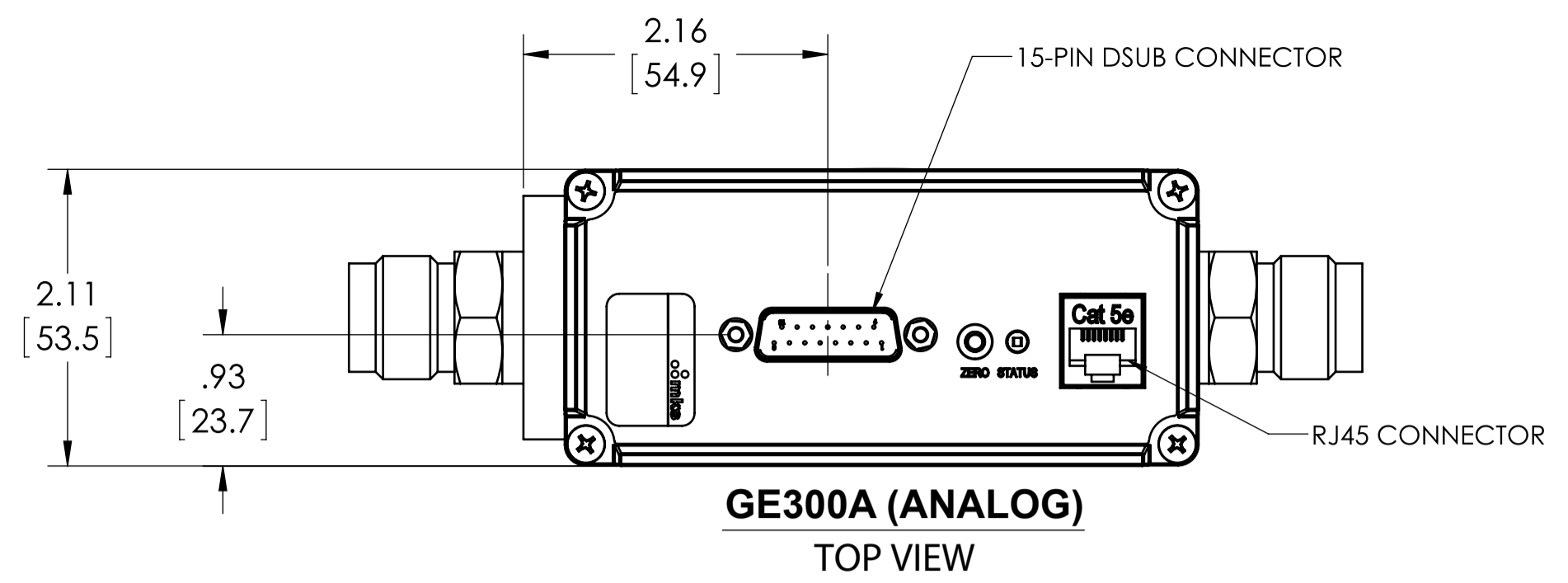


Dimensional Drawing

Note: Unless specified, dimensions are nominal values in inches (mm referenced).

*(See manual for additional I/O and fitting types)



FITTING CODE	FITTING NAME	OVERALL LENGTH
D	8 VCO MALE	6.78"
M	1/2" NPT FEMALE	7.36"
S	1/2" COMPRESSION	7.14"
T	8 VCR MALE	7.20"