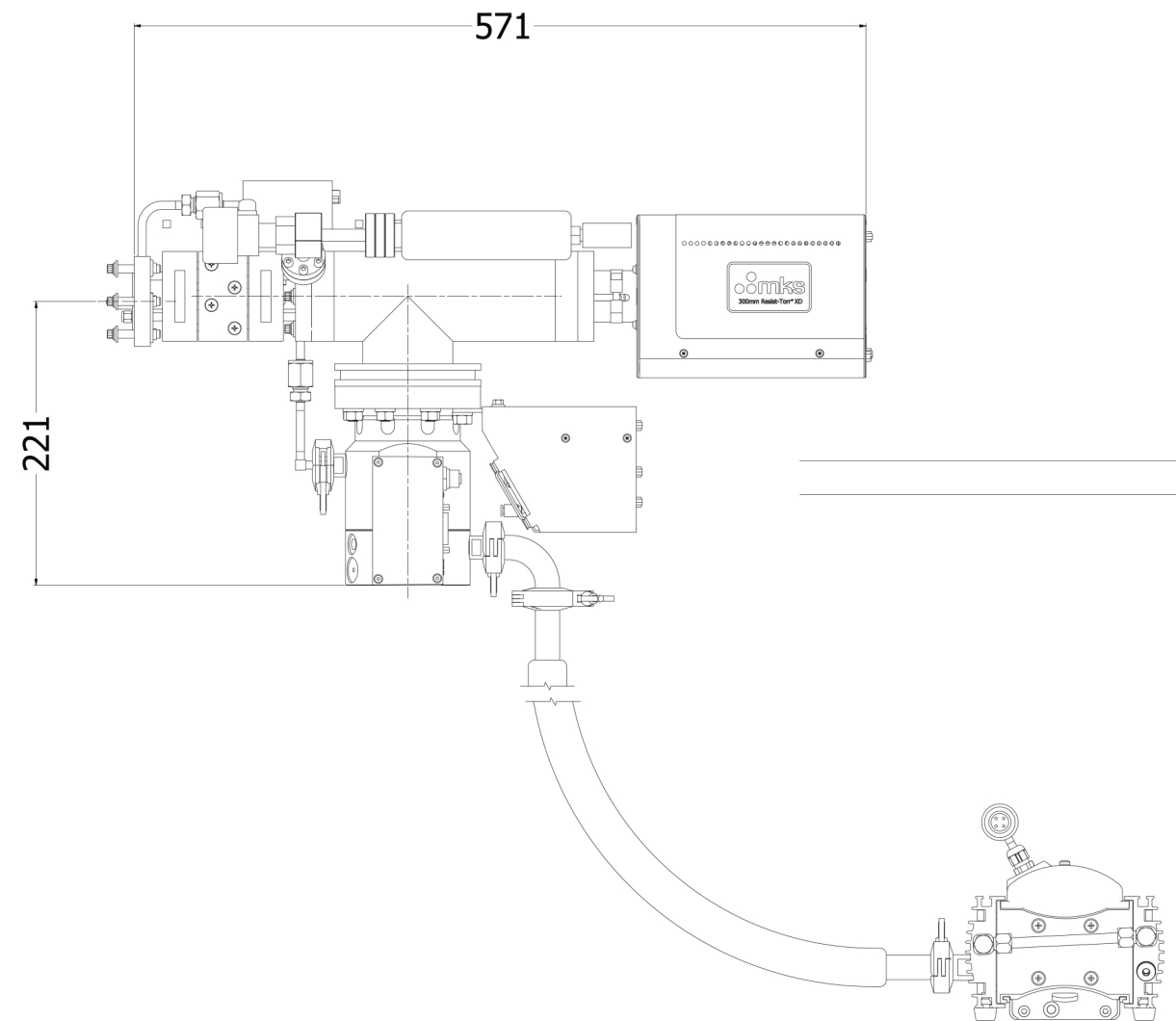
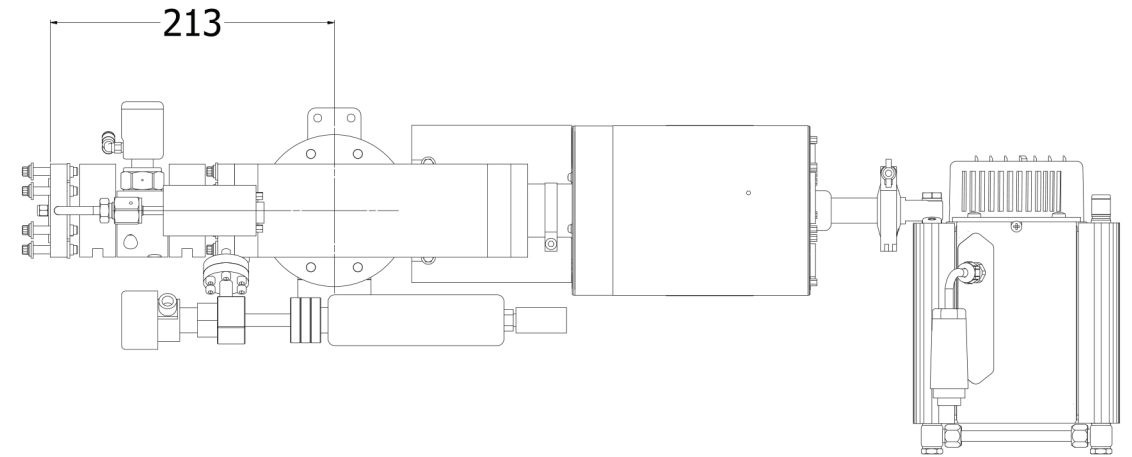
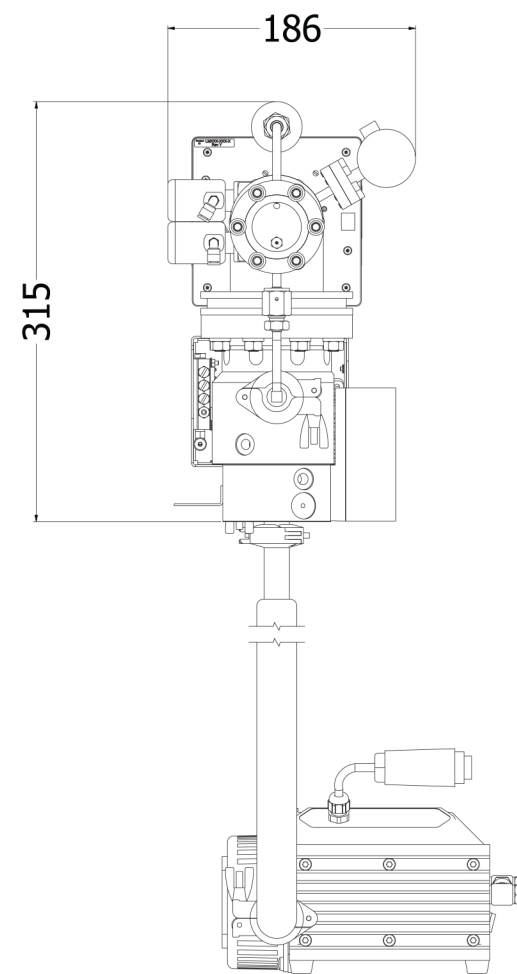


FRONT VIEW ON RVC/DSU/SUBRACK



Dimensional Drawing —

Unless otherwise specified, dimensions are nominal value in millimeters.

