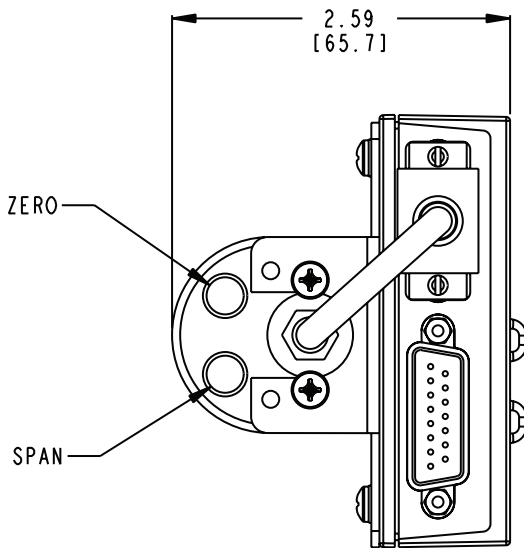
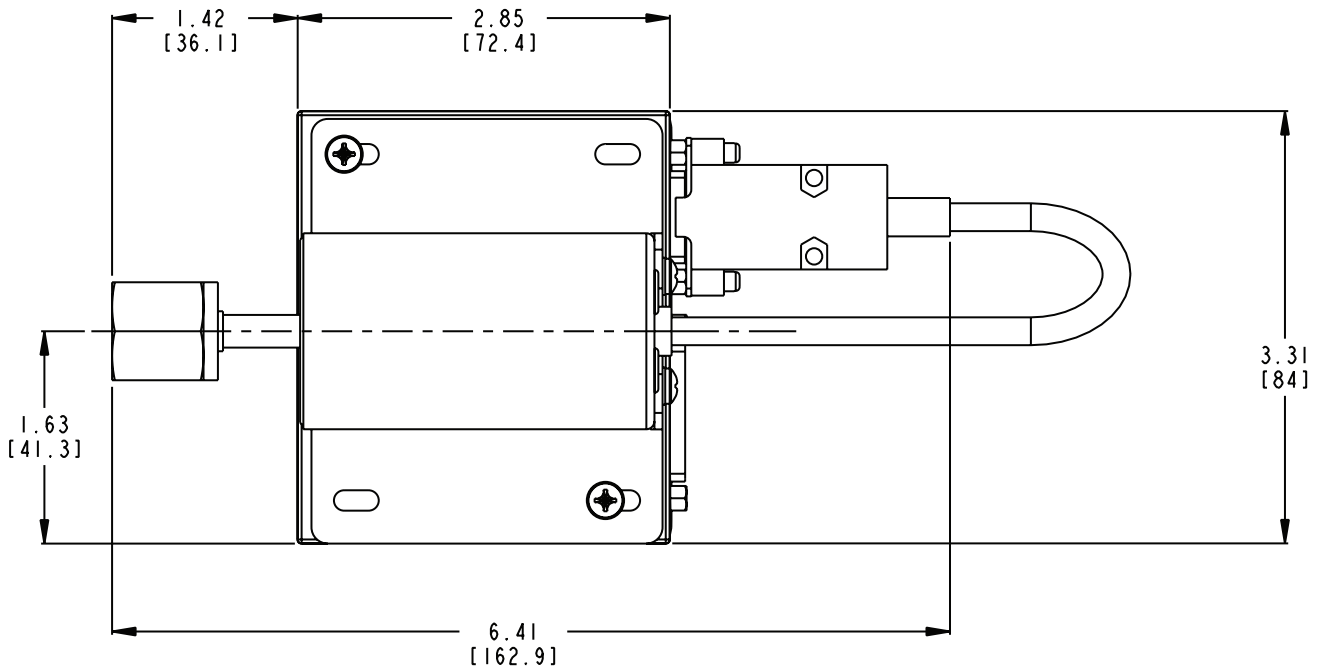


Dimensional Drawing —

Note: Unless otherwise specified, dimensions are nominal values in inches (mm referenced).



J3	SIGNAL
1	RELAY CONTACT A, N.O.
2	PRESSURE OUTPUT
3	RESERVED
4	RESERVED
5	POWER RETURN
6	-15VDC
7	+15VDC
8	RELAY CONTACT A, N.C.
9	RELAY CONTACT B, N.C.
10	TRIP PT A, SETTING
11	TRIP PT B, SETTING
12	PRESSURE RETURN
13	RELAY CONTACT B, N.O.
14	RELAY CONTACT B, COMMON
15	RELAY CONTACT A, COMMON

