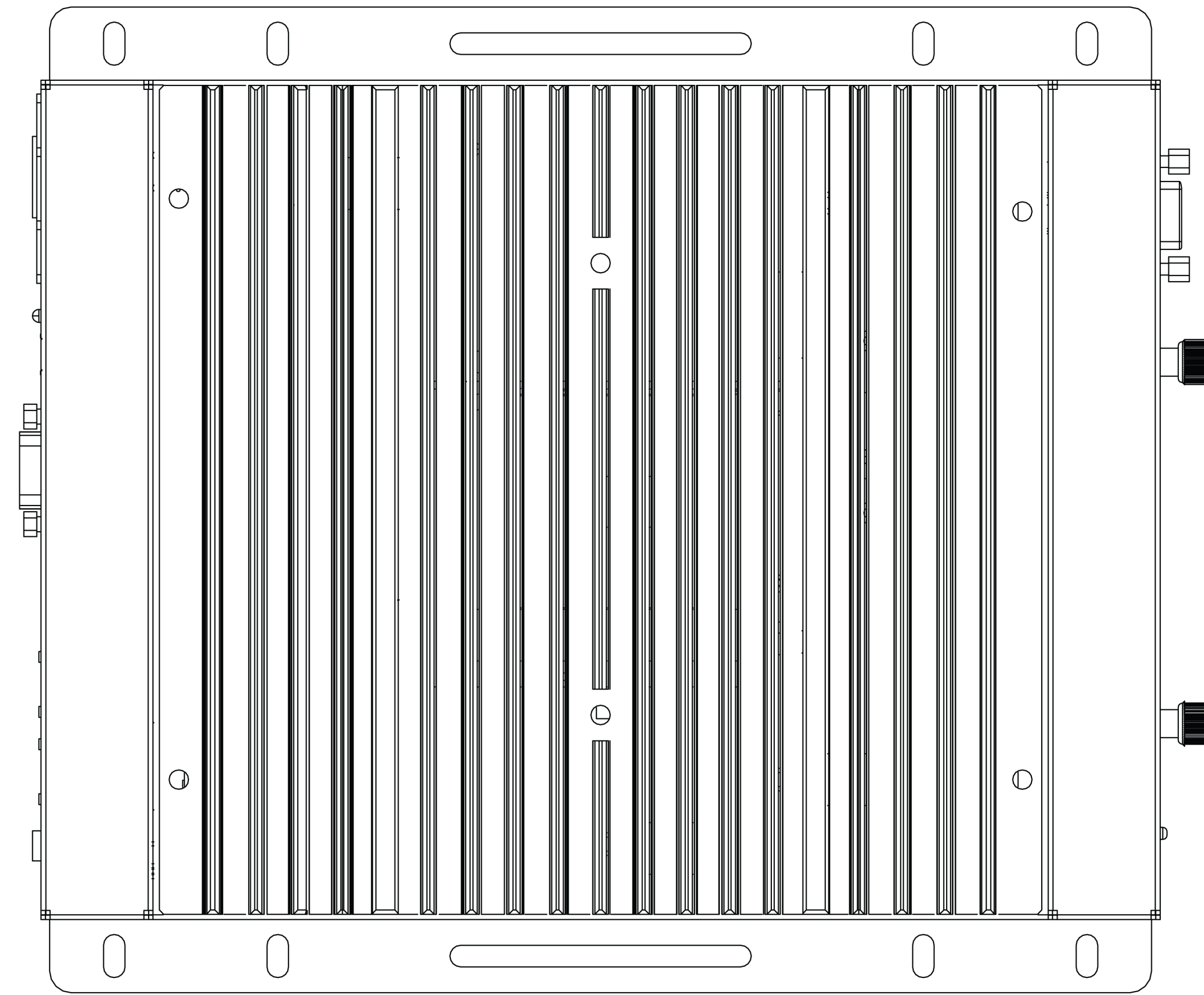
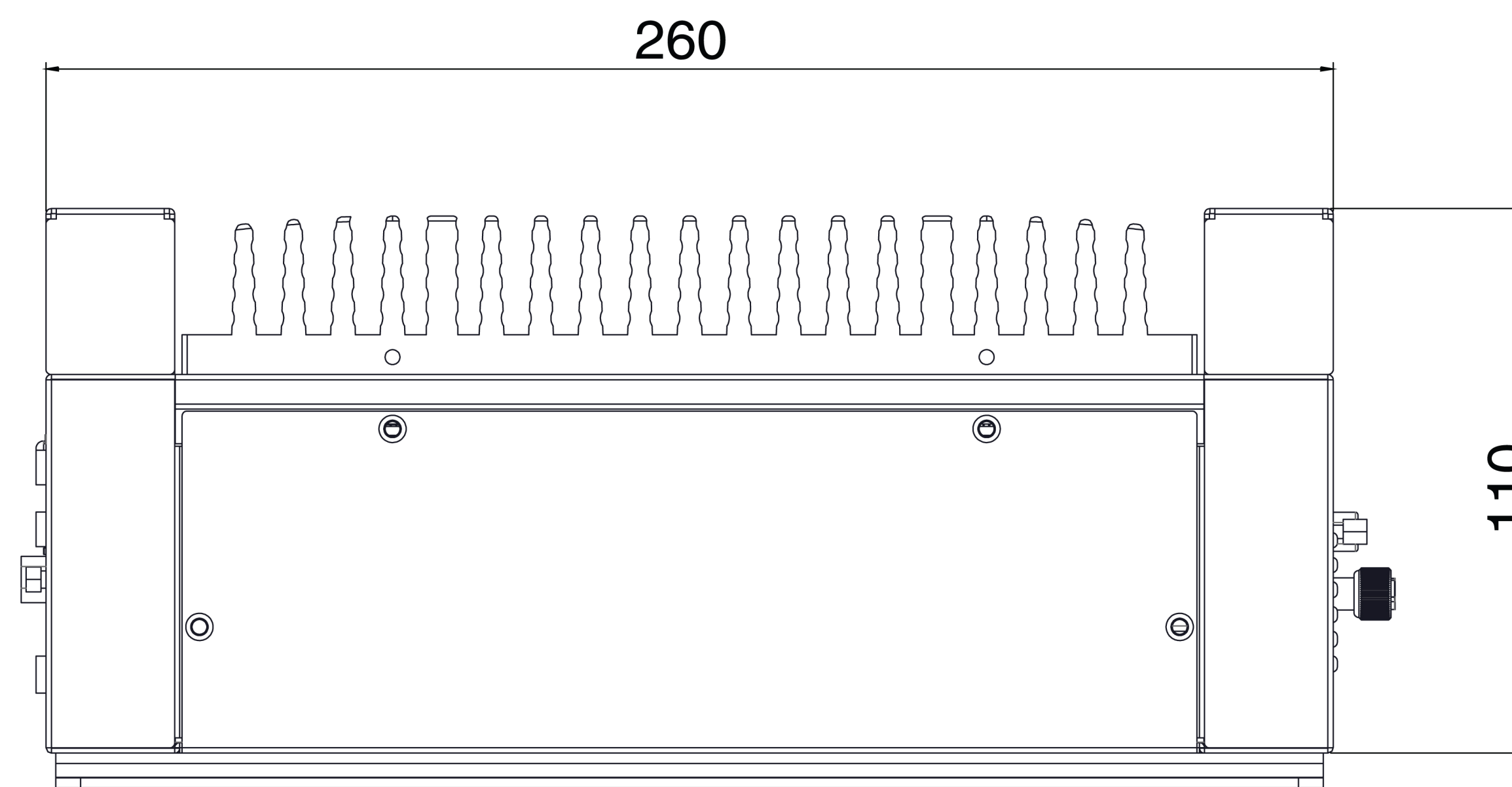


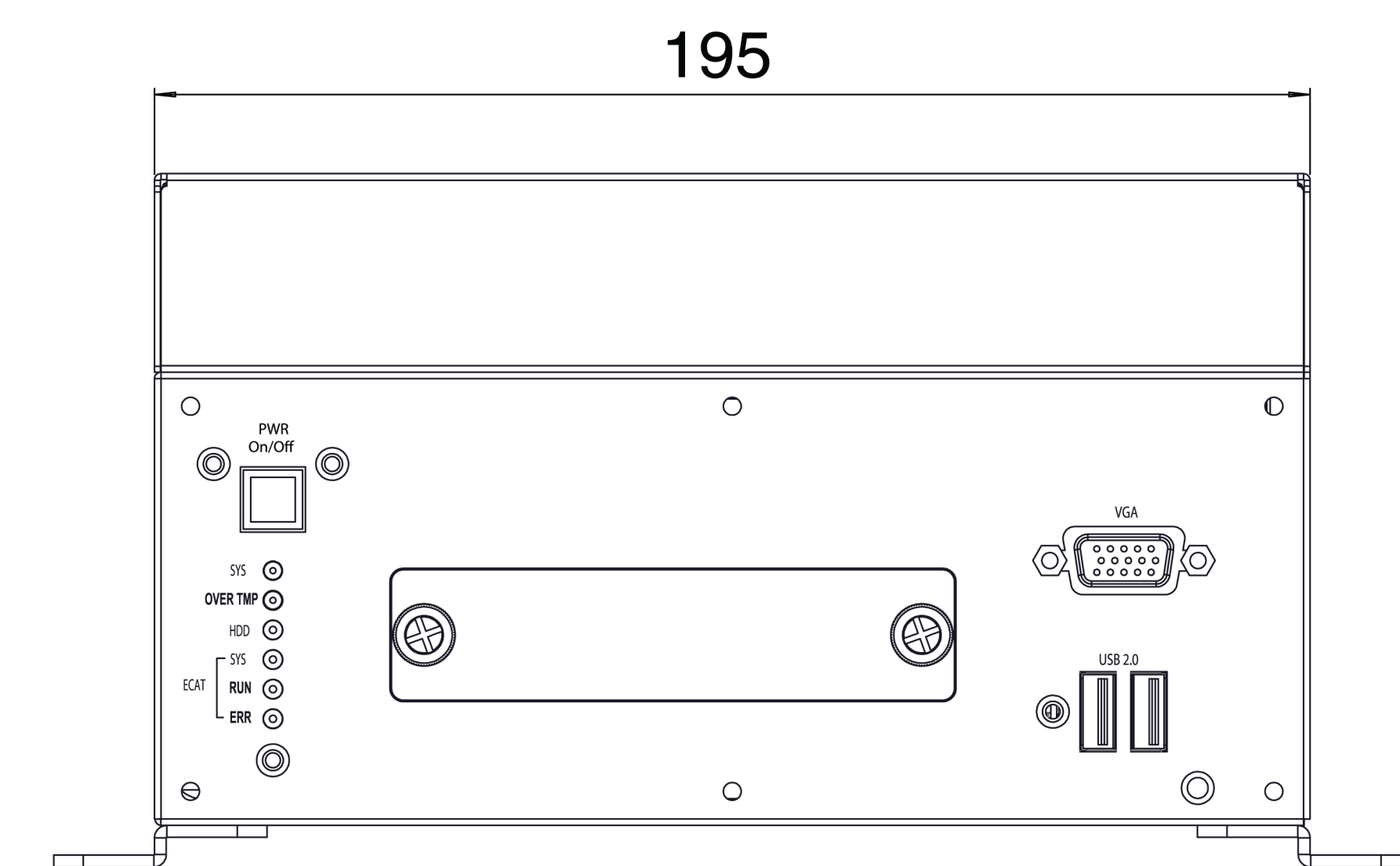
Unless otherwise specified, dimensions are nominal values in millimeters.



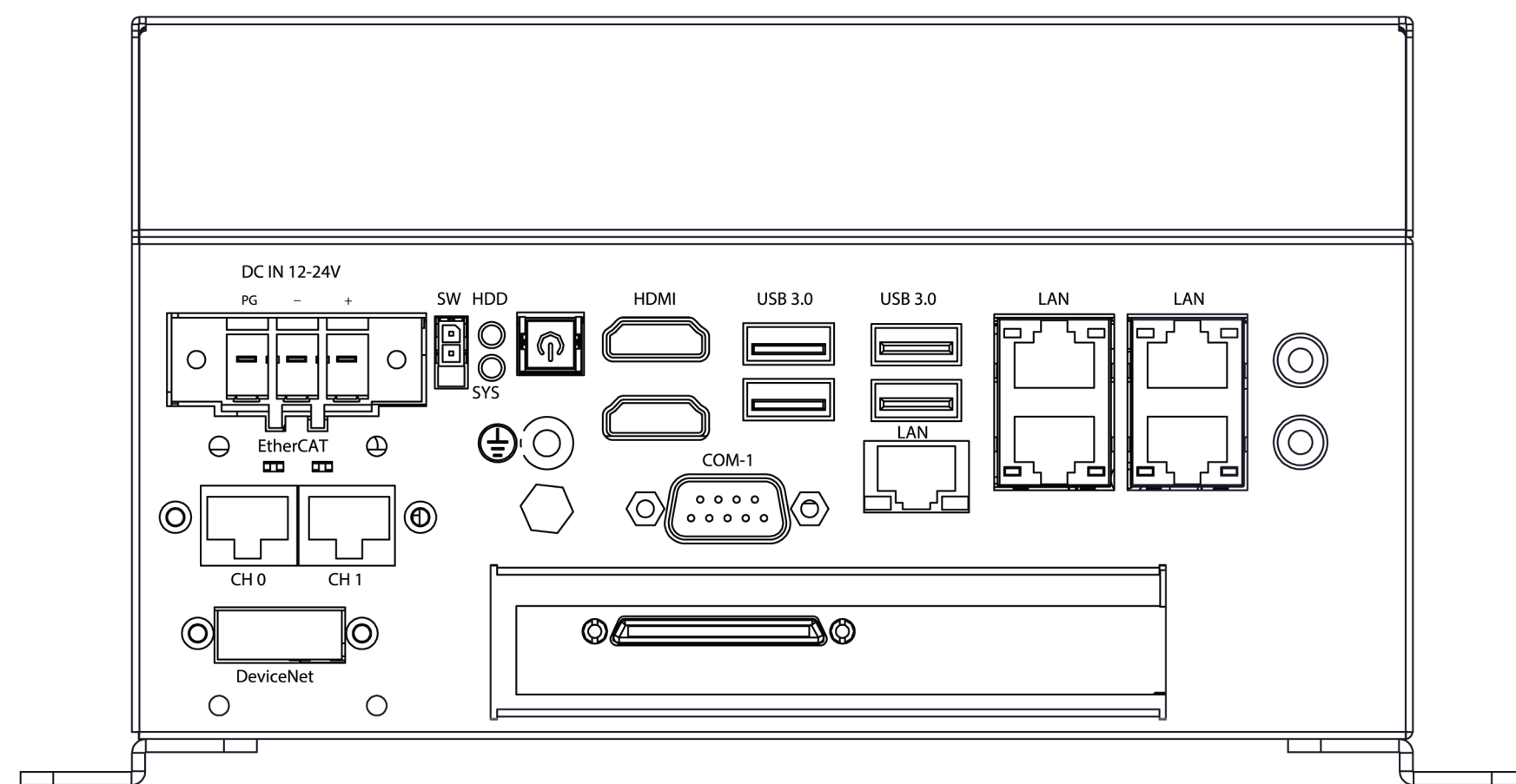
Top View



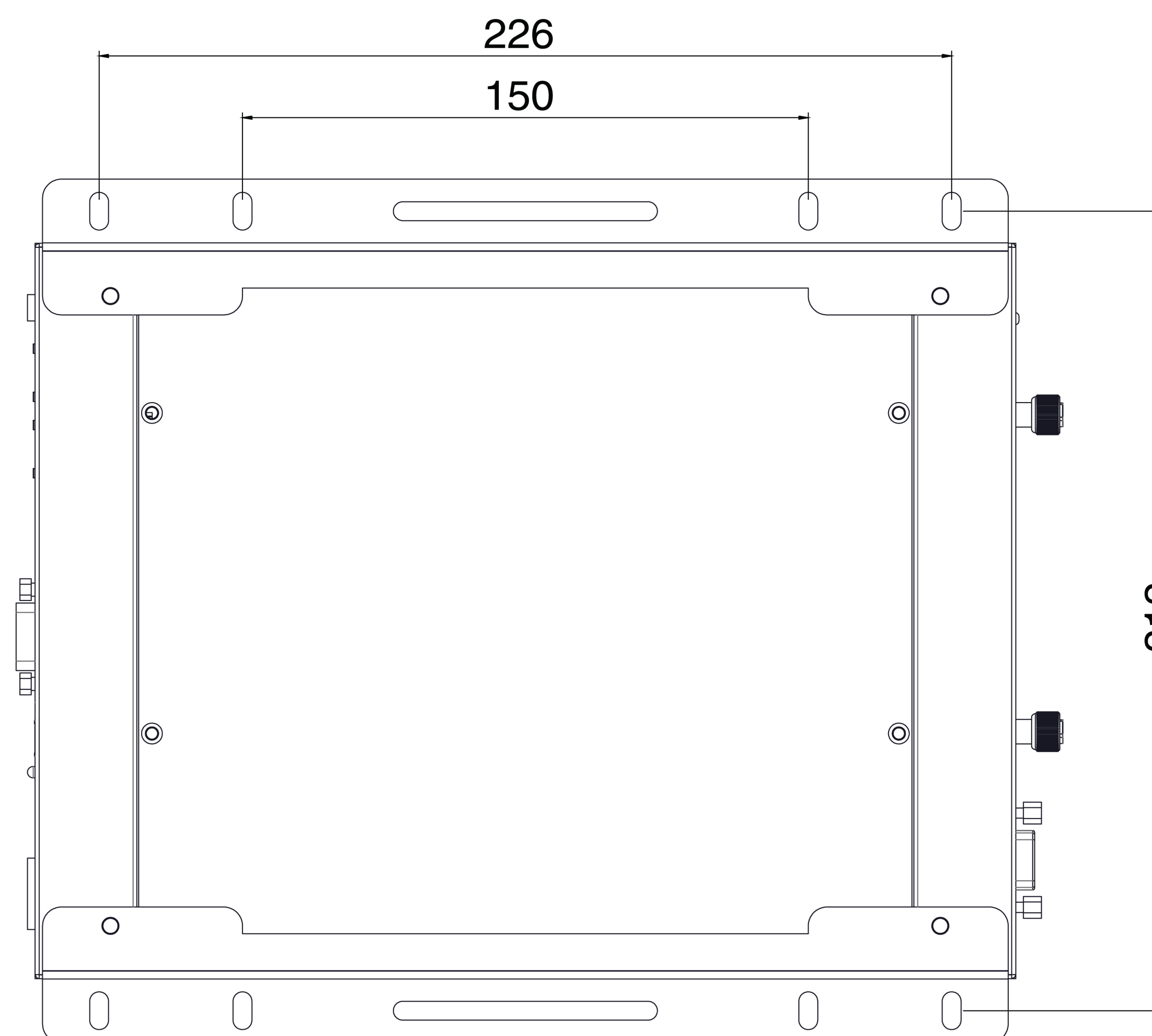
Side View



Front View



Rear View



Bottom View