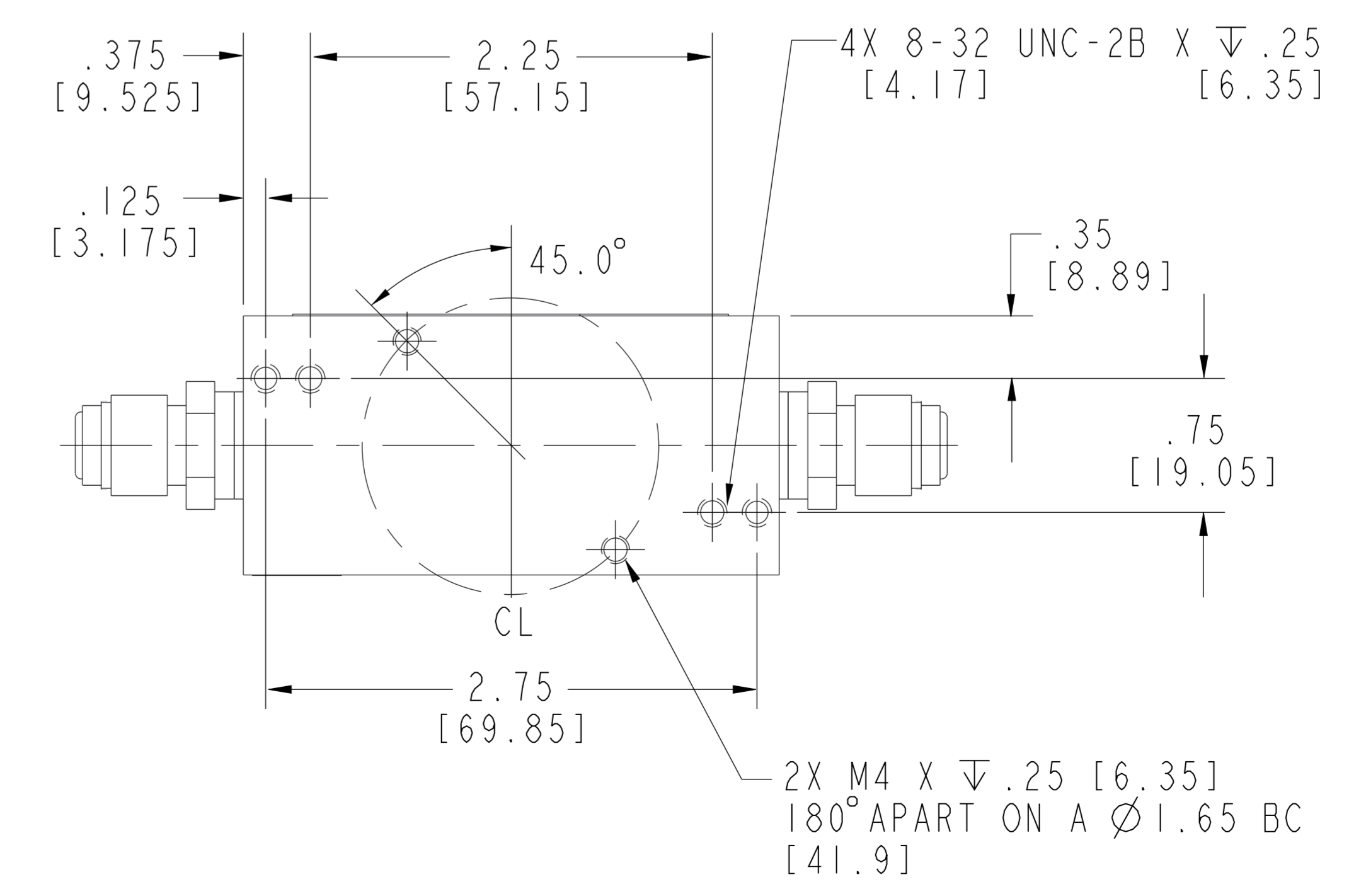


**DEVICENET VERSION**



**9-PIN RS-485 VERSION  
WITH 4VCR, 4VCO & 1/4" TUBE  
FITTINGS**

Dimensional Drawing — DeviceNet™ and RS485 with VCR fittings\*  
 \*(See manual for additional I/O and fitting types)  
 Note: Unless specified, dimensions are nominal values in inches (mm referenced).