

# IE1000A

## Industrial Mass Flow Meter Flow Rates Up to 1000 SLM



The IE1000A mass flow meter is an elastomer-sealed, multi-gas/multi-range MFM designed for use in harsh environments where resistance to liquid and dust ingress are essential. Applications include those where "hose down" may be required, such as industrial glass production where moisture and particulates are present. With its IP66 rated enclosure, the IE1000A meets the stringent requirements of these aggressive environments.

The IE1000A is capable of being ranged from 500 slm to 1000 slm (N<sub>2</sub> equivalent). The multi-gas/multi-range capability, along with tight performance specifications for accuracy, allow users to minimize inventory of high flow MFM part numbers.

The multi-gas/multi-range feature (along with other custom controls) is accessed through the MFMs embedded diagnostic interface, which requires no special software or hardware to operate. A standard Ethernet cable and JAVA-enabled HTML browser, widely available, are all the tools needed. The critical gas parameters for typical high flow rate gases are already stored on the device. Configuring the device is simply a matter of selecting the gas from a drop down menu and specifying the desired Full Scale flow range. The diagnostic interface also allows the user to perform routine device health checks, plot flow response, and store operating data for offline analysis.

### Product Features

- IP66 rated enclosure provides protection against ingress of water and dust present in harsh environments
- Tightly controlled flow accuracy of process gas enables improved process matching
- Reduces MFM inventory through its multi-gas/multi-range capability



### Key Benefits

- Device configuration and diagnostics made simple through standard Ethernet interface
- Uses a standard web browser with no special software required

## Specifications

### Performance

Full Scale Range (N <sub>2</sub> equivalent)	500 - 1000 slm
Maximum Inlet Pressure	150 psig
Burst Pressure	1500 psig
Measurement Range	0.2% to 100% Full Scale (range on mech.)
Typical Accuracy (with N <sub>2</sub> calibration gas)	±1% of Reading
Repeatability	±0.5% of Reading
Resolution	0.1% of Full Scale
Temperature Coefficients	<b>Zero Span</b> <ul style="list-style-type: none"> <li>• &lt;0.05% of Full Scale/°C</li> <li>• &lt;0.08% of Reading/°C</li> </ul>
Inlet Pressure Coefficient	<0.03% of Reading/psi
Warm-up Time	1 hour
Operating Temperature Range (Ambient)	10°C to 50°C
Storage Humidity	0 to 95% relative humidity, non-condensing
Storage Temperature	-20° to 65°C (-4° to 149° F)

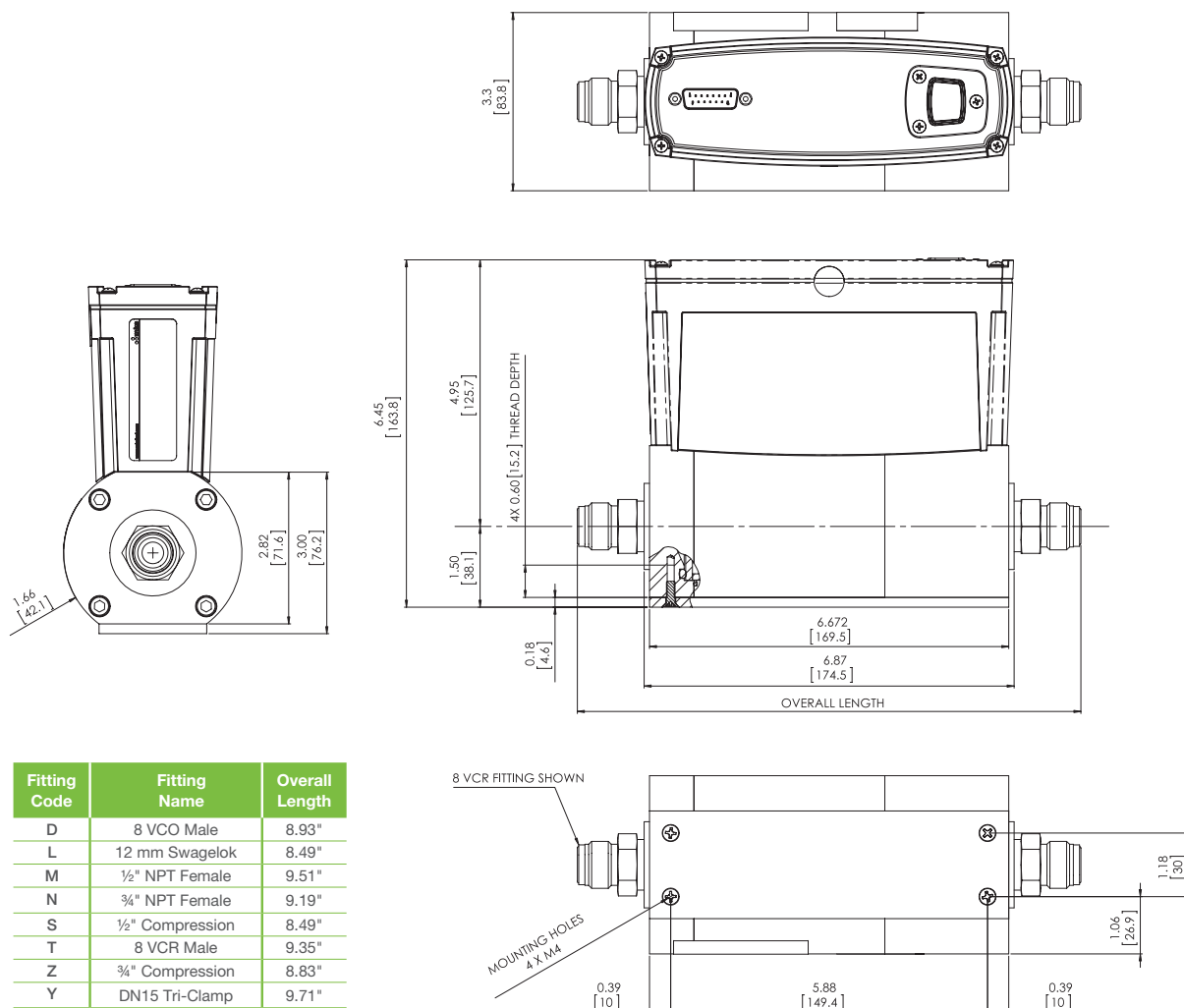
### Mechanical

Fittings (compatible with)	Swagelok® 8 VCR® male, 8 VCO® male, ½" tube compression, 12 mm tube compression, ¾" tube compression, ½" NPT female, ¾" NPT female, consult factory for availability for Swagelok 12 VCR male and 12 VCO male
Leak Integrity	<b>External (scc/sec He)</b> <1 x 10 <sup>-9</sup>
Wetted Materials	316L S.S.
Seal Options	<ul style="list-style-type: none"> <li>• Viton®</li> <li>• Buna</li> <li>• Neoprene®</li> <li>• EPDM</li> <li>• Viton (USP Class VI Compliant)</li> </ul>
Surface Finish	20µ inch average Ra
Weight	<10.8 lbs (4.8 kg)
Enclosure Rating	IP66

### Electrical Analog I/O

Input Power Required	+15 to +24 VDC @ (<4 watts)
Flow Input/Output Signal	<b>Voltage (0 to 5 VDC)</b> <b>Current (4 to 20 mA)</b> <ul style="list-style-type: none"> <li>• 15 pin Type "D" male</li> <li>• 15 pin Type "D" male</li> </ul>
Compliance	CE

Digital I/O	Profibus®	PROFINET®
Input Power Required	+15 to +24 VDC (< 2 watts)	+24 VDC (< 3 watts)
Connector	<ul style="list-style-type: none"> <li>9 pin Type D male (power)</li> <li>9 pin Type D female (comm.)</li> </ul>	2 x RJ-45 (comm.) male, M8 male, 5 pin (power)
Data Rate Switch/Selection	<ul style="list-style-type: none"> <li>No switch</li> <li>Set data rate via Profibus</li> </ul>	No switch
Comm. Rate(s)	9.6 Kbps to 12 Mbps	100 Mbps
MAC ID Switches/Addresses	2 switches, 10 positions	N/A
Network Size	Up to 99 nodes	N/A
Visual Indicators	<ul style="list-style-type: none"> <li>LED Comm (green/red)</li> <li>LED Error (green/red)</li> </ul>	<ul style="list-style-type: none"> <li>LED Maint (amber)</li> <li>LED BUS Fault (red)</li> <li>LED Ready (green)</li> <li>LED Sys Fault (red)</li> </ul>
Compliance	CE	• CE



Unless otherwise specified, dimensions are nominal values in inches (mm referenced). \*See manual for additional I/O and fitting types. x.xx = ±0.020 tolerance

## Ordering Information

Ordering Code Example: IE1000A013106TBV320				Code	Configuration
<b>Model</b>					
MFM High Flow Mass Flow Meter (multi-gas, multi-range)				IE1000A	IE1000A
<b>Gas*</b>					
<b>Name</b>	<b>Code</b>	<b>Formula</b>	<b>Min/Max Full Scale (slm)</b>		
Helium	001	He	700 to 1400	001	013
Argon	004	Ar	450 to 900	004	
Hydrogen	007	H <sub>2</sub>	500 to 1000	007	
Air	008	Air	500 to 1000	008	
Nitrogen	013	N <sub>2</sub>	500 to 1000	013	
<b>Flow Range Full Scale**</b>					
1000 slm (1,000,000 sccm)				106	106
<b>Fittings (compatible with)</b>					
12 mm tube compression				L	T
½" tube compression				S	
¾" tube compression				Z	
½" NPT female				M	
¾" NPT female				N	
8 VCR Male				T	
8 VCO Male				D	
<b>Connector (Power &amp; Control I/O)</b>					
Profibus				4	B
PROFINET				9	
15 pin D (Analog 0 to 5 VDC I/O)				B	
15 pin D (4 to 20 mA I/O)				G	
<b>Seal Material</b>					
Viton				V	V
Buna				B	
Neoprene				N	
EPDM				E	
<b>Valve/Device Type</b>					
MFM				3	3
<b>Firmware</b>					
Unless otherwise specified, MKS will ship firmware revision current to date.				20	20

\* For gases not listed in the standard products gas table, please contact the MKS applications department for assistance.

\*\* The Full Scale flow rate is designated by a 3 digit number. The first two digits represent the significant digits of the Full Scale flow rate separated by a decimal point. The third digit is the exponent of the power of ten. Example flow rate code: 255 is 2.5 x 10<sup>5</sup> sccm or 250 slm; 105 is 1.0 x 10<sup>5</sup> sccm or 100 slm