

# Isolation Valve Kits

MKS Original Parts



A leaking valve can stop production and create costly downtime. MKS offers predefined isolation valve kits to support in situ self-service to reduce repair and maintenance downtime. MKS isolation valves are designed for high performance gauge or system isolation. These are commonly used in semiconductor and flat screen manufacturing, high energy physics research and thin film deposition.

MKS isolation valves are designed for long life and high reliability; however all valves can develop leaks over time due to failing seals and/or cracks developing in a worn bellows. In addition, bellows and seal lifetimes may be shortened in corrosive or high deposition processes. In these harsh processes, a rebuild kit allows for valve self-service on pre-determined preventive maintenance schedules reducing service turnaround time.

## Product Features

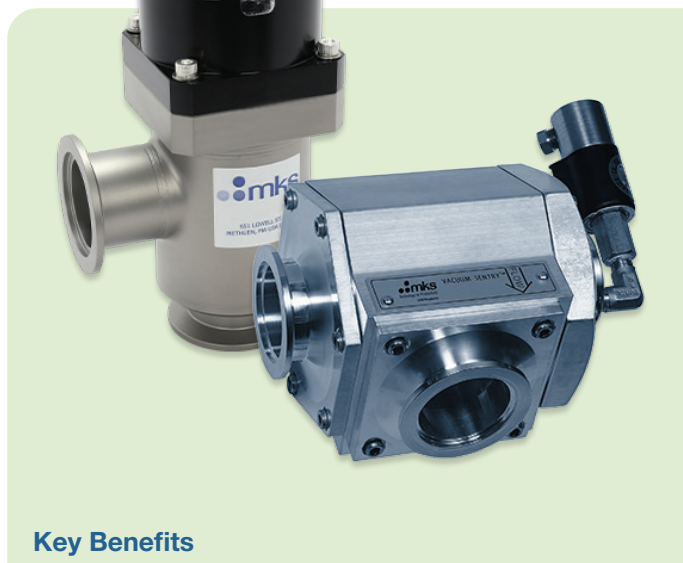
- **Internal Rebuild Kit:** Includes the complete fully assembled internals, with seals and bellows assembly, for a specific valve.
- **Seal Kit:** Includes seals most likely to wear down with use.
- **Additional feature:** Alternative seal materials to Viton® are available. Contact MKS Technical Support for seal material assistance.



LoPro Valve Internal Kit

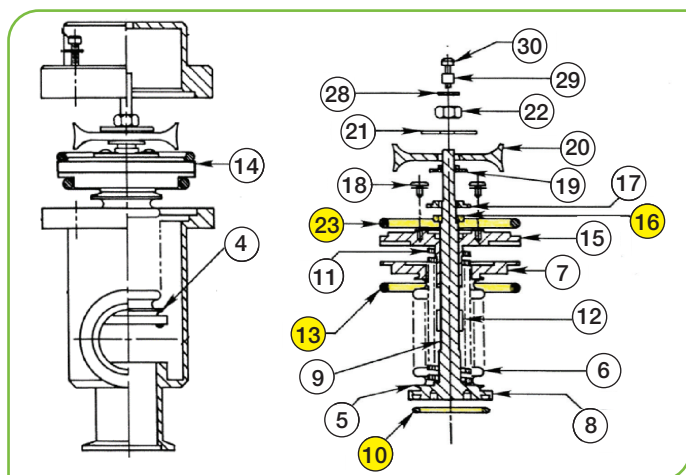
Isolation valve kits either contain the fully assembled valve internals, including seals and bellows, or only the seals. With the removal of a few bolts the valve can be repaired, reducing time and expense of removing and replacing the part from the line and shipping it back to MKS for repair or full replacement. No special tooling or skills are required. The kits contain original MKS components, assuring a perfect fit into the valve. Keeping kits on hand makes regularly scheduled maintenance easy and minimizes down time due to unexpected valve leakage.

Many valve kits are available online for quick turnaround and easy purchase via MKS' Ultra-High Velocity web store. To identify the correct kit(s) and check price and availability, enter the valve part number into the search field on the MKS website.

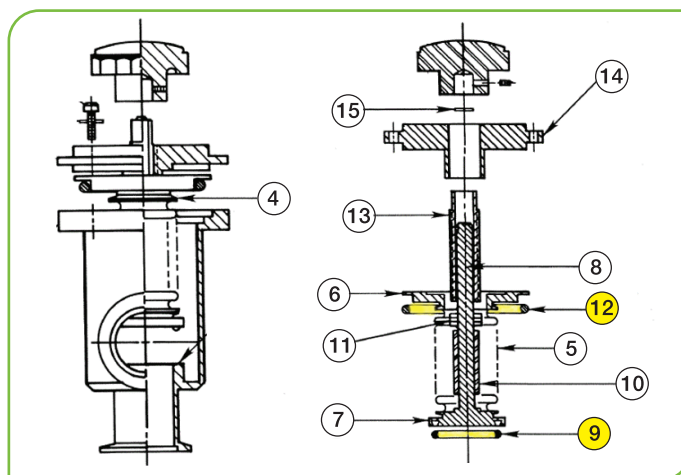


## Key Benefits

- Rebuild kits contain original MKS parts ensuring a perfect valve resulting in the proper vacuum seal after replacement.
- Valve can be quickly repaired in place, reducing repair or maintenance down time.
- Valve kits have a lower cost than replacing the entire valve.



Pneumatic Valve Typical Internal View (Seal kit contents are highlighted in yellow).



Manual Valve Typical Internal View (Seal kit contents are highlighted in yellow).

### Pneumatic Valve

4	Assy, Internal	16	U-cup, Stem Seal
5	Assy, Bellows	17	Retainer, Stem Seal
6	Bellows	18	Screw, Pan Head w/Lock Washer
7	Flange, Bellows	19	Bushing, Piston
8	Nosepiece	20	Piston
9	Stem	21	Washer Warning
10	O-ring, Nosepiece	22	Nut, Piston
11	Spring, Closing	23	O-Ring, Cylinder
12	Bushing, Spring	28	Washer, Limit Switch Actuating
13	O-ring, Bellows Flange	29	Spacer
14	Assy, Cylinder End	30	Screw, Socket Head
15	Guide, Valve Stern		

### Manual Valve

4	Assy, Internal	10	Stem
5	Assy, Bellows	11	Assy, Thrust Bearing
6	Bellows	12	O-ring, Bellows Flange
7	Flange, Bellows	13	Screw, Actuator
8	Nosepiece	14	Guide, Stem
9	O-ring, Nosepiece	15	Ring Retaining

### Available Rebuild Kits

145	Vacuum Sentry Valve
150/160, V-100 and 170/180	Bellows Sealed Isolation Valves
CV	Compact Vacuum Valves and Electromagnetic Compact Vacuum Valves
LPV and LPV1	LoPro Bellows Sealed Isolation Valves
HCV	High Cycle Valves
L2 and LPV2	Two Stage Bellows Sealed Isolation Valves
UHV	Ultra High Vacuum Valves
J1, J2 and LPJ1	Jalapeño Valves

Visit [www.MKSINST.com](http://www.MKSINST.com) for a list of valve part numbers and spare part kits.